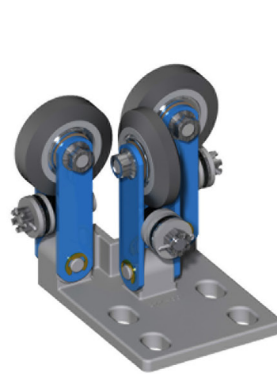
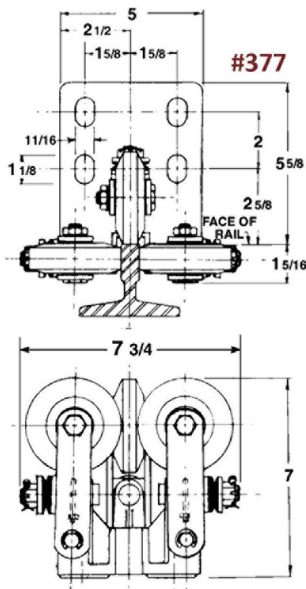


# H-W EQUIPMENT

## Guide Shoes

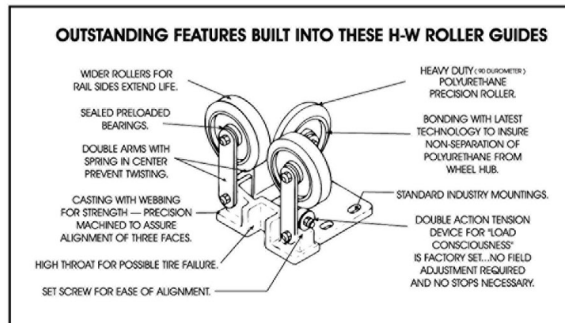
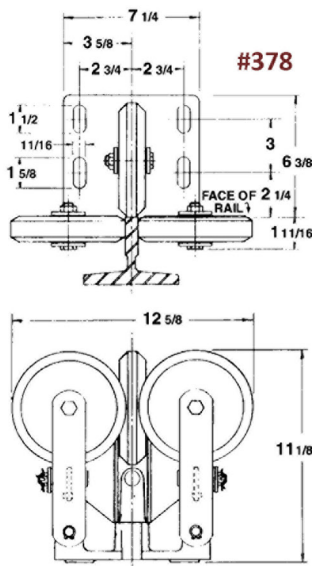
### Roller Guide Shoes



Model 377



Model 378



Roller Guide Shoes from H-W are "Load Conscious!" The unique tension system actually causes the rollers to "feel" or "sense" the rail and adjust for loads near the balanced point and for rail misalignment, while a strong tension takes over to prevent excessive movement as heavier loads are placed off center. Rollers will never leave the rail with this "guide" and the outstanding tension system allows ultra long life of the roller wheels.

For higher capacities, the ultimate choice is the Hollister-Whitney four-wheel guides. Four wheels control more of the side to side movement.

## Guide Shoes

### Roller Guide Shoes

NOTE: CONTACT H-W FOR CAPACITY AND SPEEDS GREATER THAN SHOWN

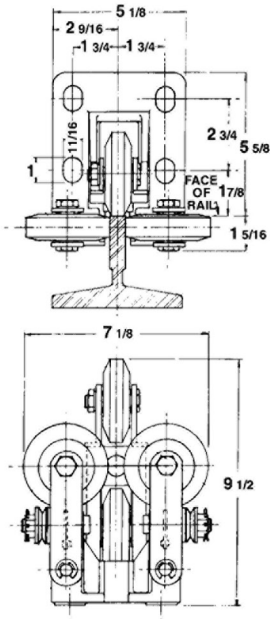
MODEL NO. & SHOE TYPE	WHERE USED & RAIL SIZE		APPLICATION FOR Typical Elevator Installation			WEIGHT SET OF 4
			TYPE LOADING	MAX. CAR CAP.	CAR SPEED OF	
377 3-3 1/4" Rollers	Car	5/8"	Pass.	2000	300	55#
	Cwt.		Pass.	5000	600	
378 3-6" Rollers	Car	5/8" or 3/4" (EXCEPT 8#)	Pass.	4000	600	110#
			Class "A" Frt.	4000	200	
379 4-3 1/4" Rollers	Car	5/8"	Pass.	3500	300	75#
	Cwt.		Pass.	8000	1000	
380 4-6" Rollers	Car	5/8" or 3/4" (EXCEPT 8#)	Pass.	8000	1000	175#
			Class "A" Frt.	6000	200	



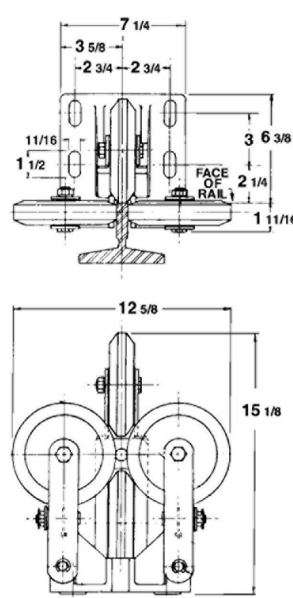
Model 379

Note: Models 378 & 380 are not designed for use on 8# rails.

#379



#380



Model 380