

Swivel Guide Shoes

LIGHTWEIGHT WITH NYLON LINERS

Hollister-Whitney offers two types of swivel guide shoes; Model 382 for passenger and Class A freight elevators and Model 383 for counterweights. Both have low-friction nylon liners and are competitively priced.

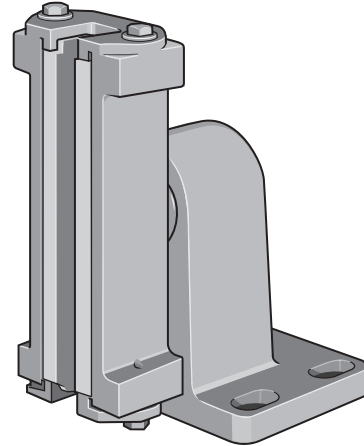
Model Number	Rail size	Application and Max. Capacity	Liner size and material	Weight (Set of four)
382	5/8 in.	Passenger / Class A freight 10,000 lbs (4,545 kg)	8 1/2 in. (216 mm) Nylon	115 lbs (52 kg)
383	5/8 in.	Counterweight 10,000 lbs (4,545 kg)	5 1/2 in. (140 mm) Nylon	40 lbs (18 kg)

Model 382 requires shoe plates (available separately). Model 383 mounts on a standard Hollister-Whitney without the need for shoe plates. Both fit on 5/8 in. rail.

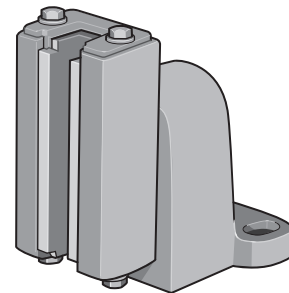
Shoe Plate	For Use With	Dimensions	Weight
378-030	Car	6 x 9 1/4 in. (152 x 235 mm)	15 lbs (7 kg)
378-033	Car	8 3/8 x 10 in. (213 x 254 mm)	15 lbs (7 kg)
378-032	Car	10 x 12 in. (254 x 305 mm)	15 lbs (7 kg)

Mounting hardware available separately

Model 382 swivel guide shoe



Model 383 swivel guide shoe



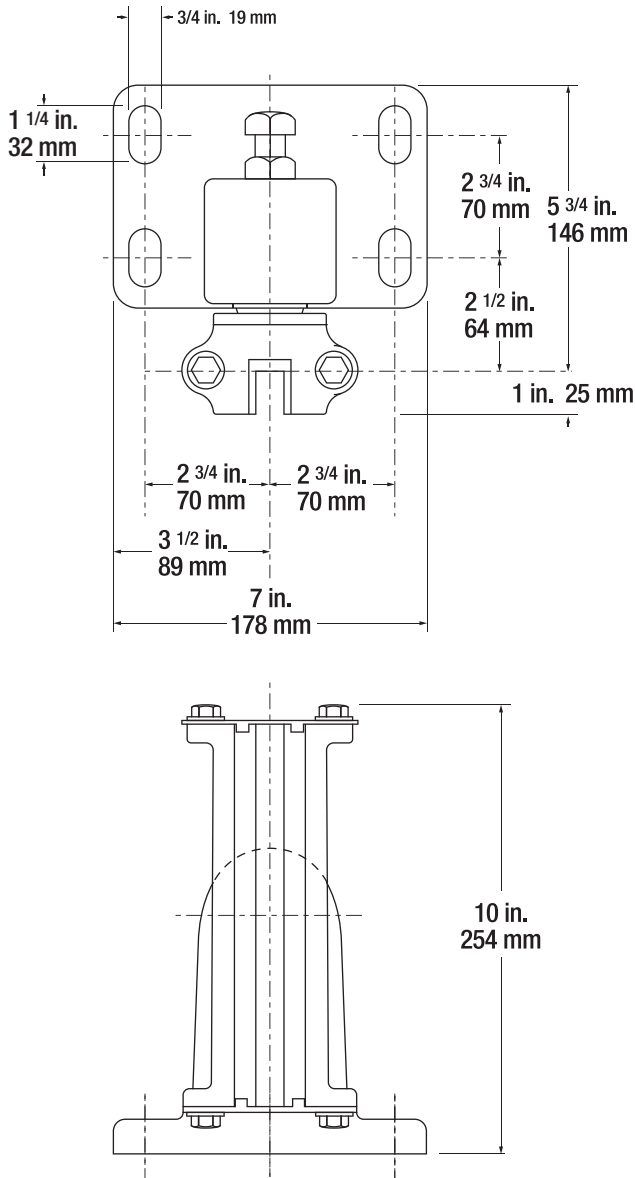
Swivel Guide Shoes

LIGHTWEIGHT WITH NYLON LINERS



A VANTAGE Company

Model 382
swivel guide shoe



Model 383
swivel guide shoe

