



Hollister-Whitney
ELEVATOR CO. LLC

Compensating Rope Tension Sheave Assembly

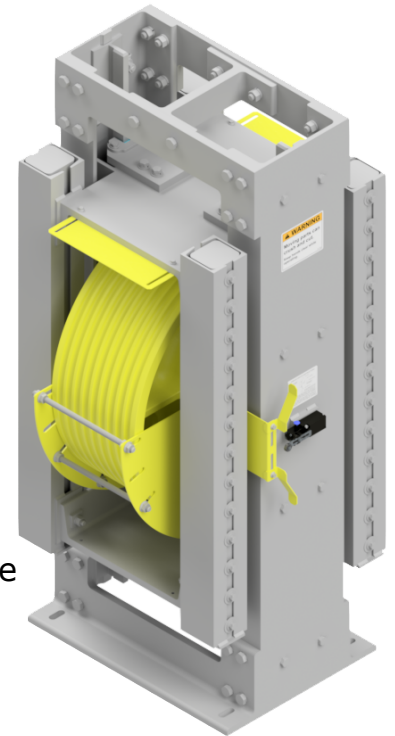
The Hollister-Whitney Compensating Rope Tension Sheave Assembly is designed to provide tension to the compensation ropes and guide them as the elevator travels. This helps ensure that the compensation ropes run smooth. This assembly is available in both single sheave and twin sheave configurations. The twin sheave model can be customized for larger rope spans and additional weight racks can be added on some configurations for additional tension if needed.

Features

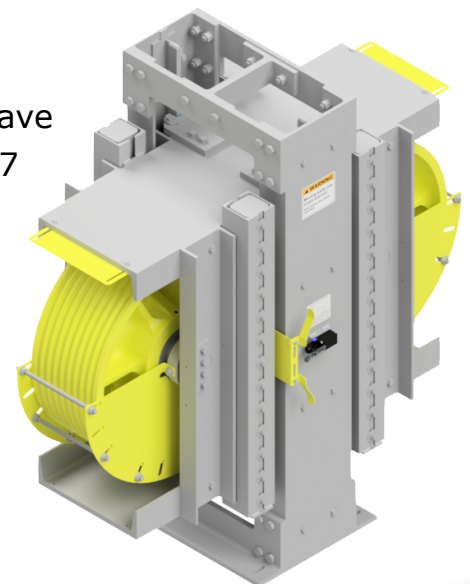
- Polyethylene Guide Shoe Inserts
- Sealed Sheave Bearings
- Rope Retainers
- Adjustable Weight Racks
- Debris Guards
- Compensating Rope Sheave Switch
- Working Travel up to 12 inches
- Adjustable Switch Flag

Ratings

- Speeds up to 700 ft/min
- Minimum Pitch Diameter of 32 times the rope diameter
- Maximum 3 inches rope pull off or pull in from sheave
- Rated for use in seismic zones



Single Sheave
Model 346



Twin Sheave
Model 347

Compensating Rope Tension Sheave Assembly

Single Sheave

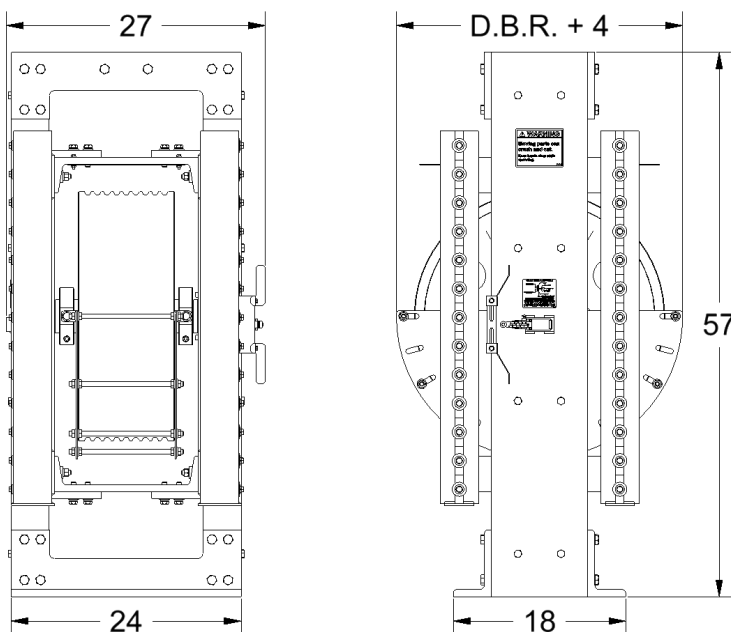
Model	Pitch Diameter of Sheave (inches)	Max Sheave Width (inches)	Approximate Shipping Weight (lbs)	Approximate Hanging Weight (lbs)	Nominal Distance Between Ropes (inches)
346-008B	20	7.25	1600	1150	20
346-093B	25	8.5	1800	1350	25
346-087B	26	10	1900	1450	26
346-091B	30	8.5	1950	1500	30

Twin Sheave

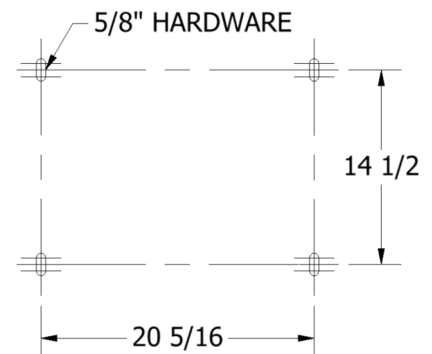
Model	Pitch Diameter of Sheave (inches)	Max Sheave Width (inches)	Approximate Shipping Weight (lbs)	Approximate Hanging Weight (lbs)	Nominal Distance Between Ropes (inches)
347-008B	20	7.25	2100	1650	41
347-093B	25	8.5	2600	2150	51
347-087B	26	10	2800	2350	53
347-091B	30	8.5	2900	2450	61

*Model 347 weights assume nominal distance between ropes with no additional weight racks

Dimensions (inches):



Mounting Layout (inches):



Hollister-Whitney
ELEVATOR CO. LLC
#1 Hollister-Whitney Parkway
Quincy, IL 62305
Phone: 217.222.0466
www.hollisterwhitney.com