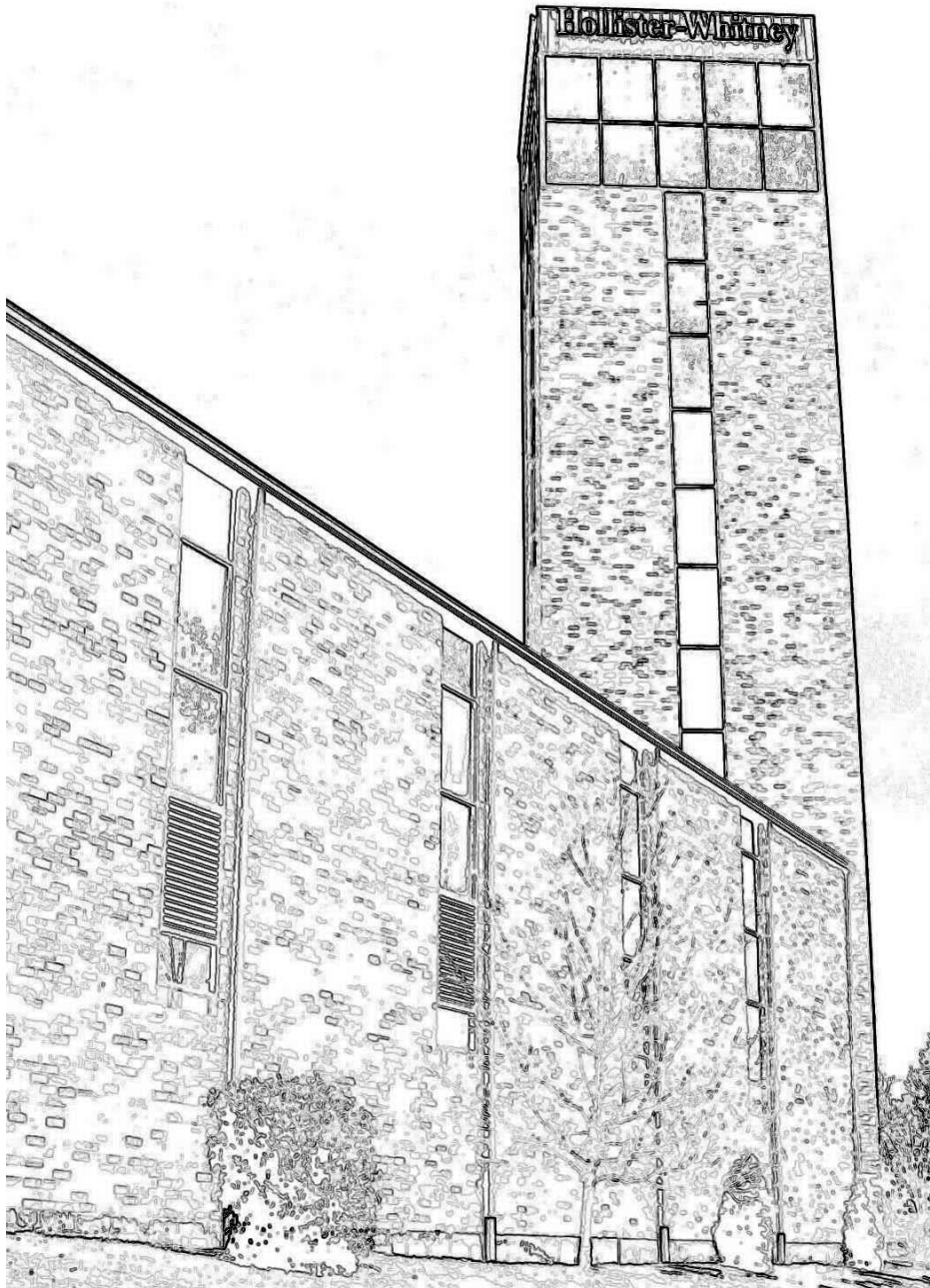




*Hollister-Whitney*  
A **VANTAGE** Company

#1 HOLLISTER-WHITNEY PARKWAY  
QUINCY, ILLINOIS 62305  
Phone: 217-222-0466  
Web: [www.hollisterwhitney.com](http://www.hollisterwhitney.com)  
Email: [layouts@hollisterwhitney.com](mailto:layouts@hollisterwhitney.com)

## ***OVERHEAD GEARED TRACTION DESIGN GUIDE***





**#1 HOLLISTER-WHITNEY PARKWAY  
QUINCY, ILLINOIS 62305  
Phone: 217-222-0466  
Web: [www.hollisterwhitney.com](http://www.hollisterwhitney.com)  
Email: [layouts@hollisterwhitney.com](mailto:layouts@hollisterwhitney.com)**

**CONTENTS:**

IBC Stretcher Access .....	P. 3
Passenger, Front Opening, CWT at Rear .....	P. 4-5
Passenger, Front Opening, CWT at Side .....	P. 6-7
Passenger, Front Opening, CWT at Side, Glass-Back Cab .....	P. 8-9
Passenger, Front & Rear Opening, CWT at Side.....	P. 10-11
Passenger, Front & Side Opening (Cornerpost), CWT at Rear .....	P. 12-13
Passenger, Front & Side Opening (Cornerpost), CWT at Side .....	P. 14-15
Hospital/Service, Front Opening, CWT at Side.....	P. 16-17
Hospital/Service, Front & Rear Opening, CWT at Side.....	P. 18-19
Trauma, Front Opening, CWT at Side.....	P. 20-21
Trauma, Front & Rear Opening, CWT at Side.....	P. 22-23

**NOTICE:** This publication is for general informational purposes only. Hollister-Whitney Elevator Co. LLC reserves the right to make changes at any time to the information contained within without prior notice.

Copyright © 2018  
Hollister-Whitney Elevator Co. LLC

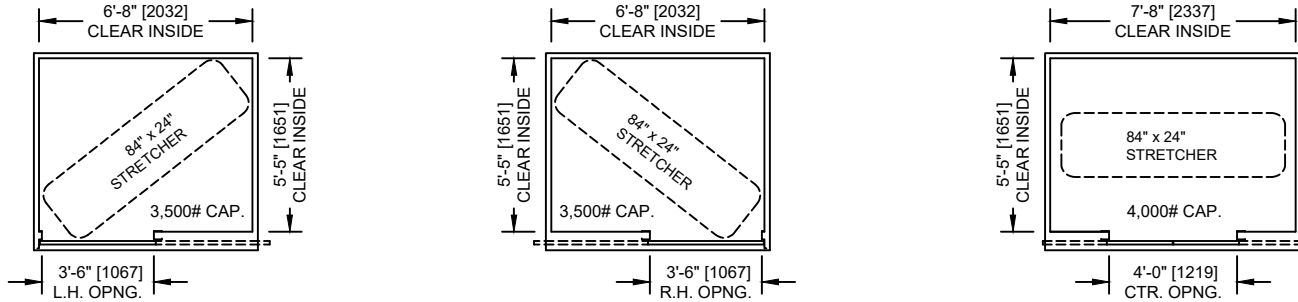


# OVERHEAD GEARED TRACTION DESIGN GUIDE

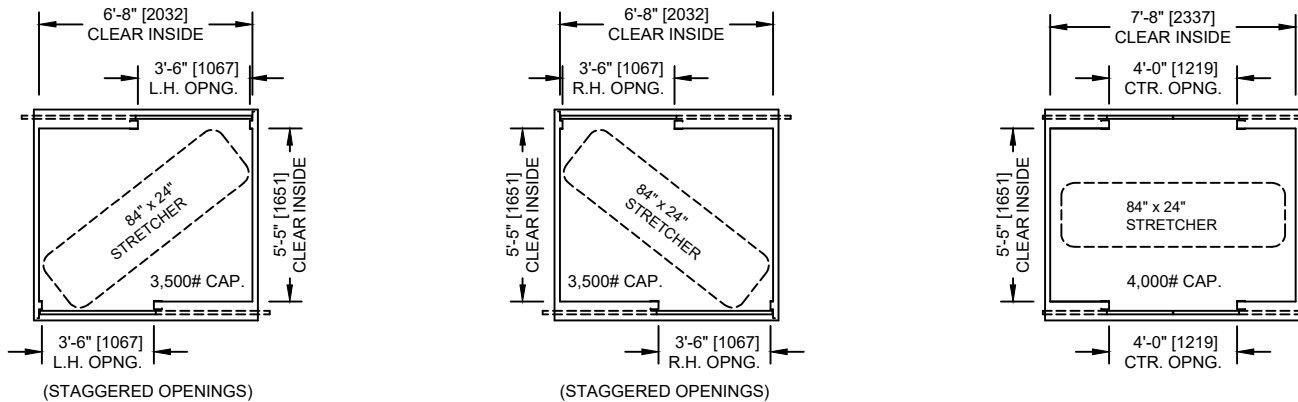
## IBC Stretcher Access

### STRETCHER REQUIREMENTS:

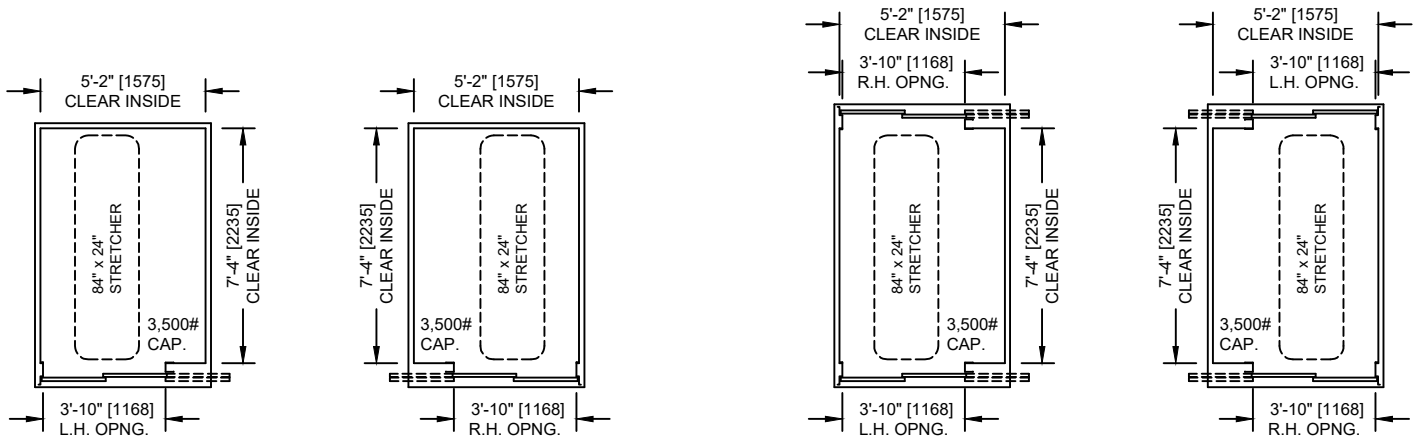
Section 3002.4 of the International Building Code (IBC) states that "where elevators in buildings four or more stories above, or four or more stories below grade plane, at least one elevator shall be provided for Fire Department emergency access to all floors". According to the IBC Code, the elevator should accommodate an open stretcher in the horizontal position 24 inches x 84 inches with not less than 5-inch radius corners. The following configurations and minimum dimensions comply with these IBC requirements:



**PASSENGER ELEVATORS WITH FRONT OPENING DOOR**



**PASSENGER ELEVATORS WITH FRONT & REAR OPENING DOORS**



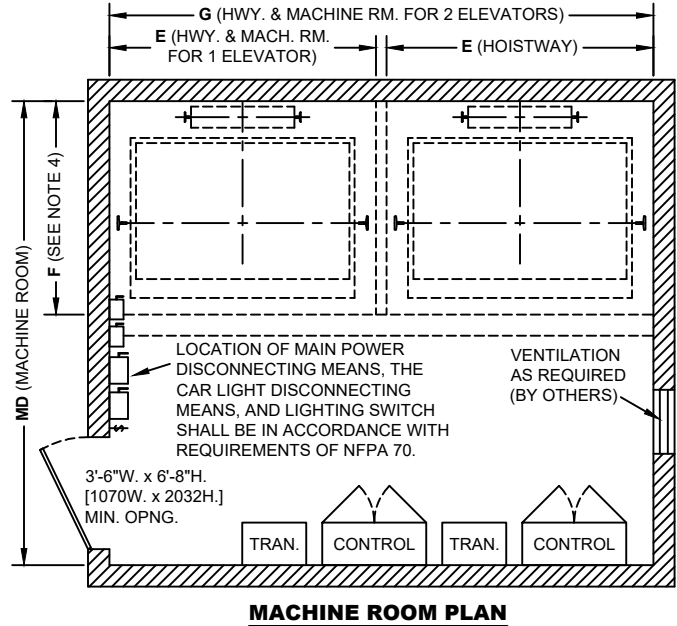
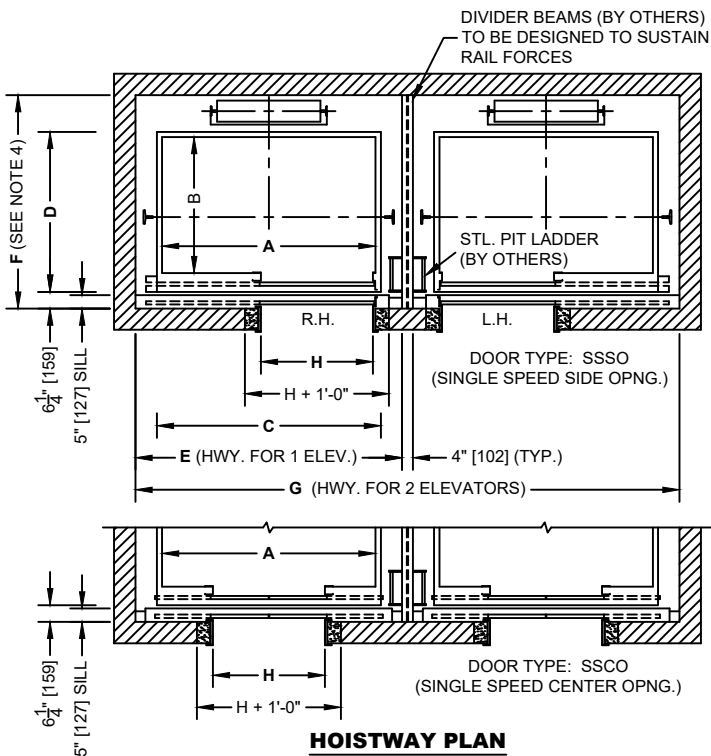
**HOSPITAL / SERVICE / TRAUMA ELEVATORS  
WITH FRONT OPENING DOORS**

**HOSPITAL / SERVICE / TRAUMA ELEVATORS  
WITH FRONT & REAR OPENING DOORS**



# OVERHEAD GEARED TRACTION DESIGN GUIDE

## Passenger, Front Opening, CWT at Rear



- NOTES:**
1. Dimensions shown are based on standard sizes and capacities for typical building installations and should only be used for preliminary planning. Contact H-W for additional information before proceeding with construction or for assistance with existing or special conditions.
  2. Dimensional data complies with the ASME A17.1 / CSA B44 Safety Code for Elevators and Escalators. State or local codes must be used if they differ from national code.
  3. Interior cab dimensions may vary depending on the interior finishes. The platform and hoistway sizes should be increased accordingly for extra thick cab finishes.
  4. Counterweight safeties are required if there is "occupied space" below the pit. Add 8" [203] to the hoistway and machine room depths listed.

### HOISTWAY AND MACHINE ROOM DIMENSIONS

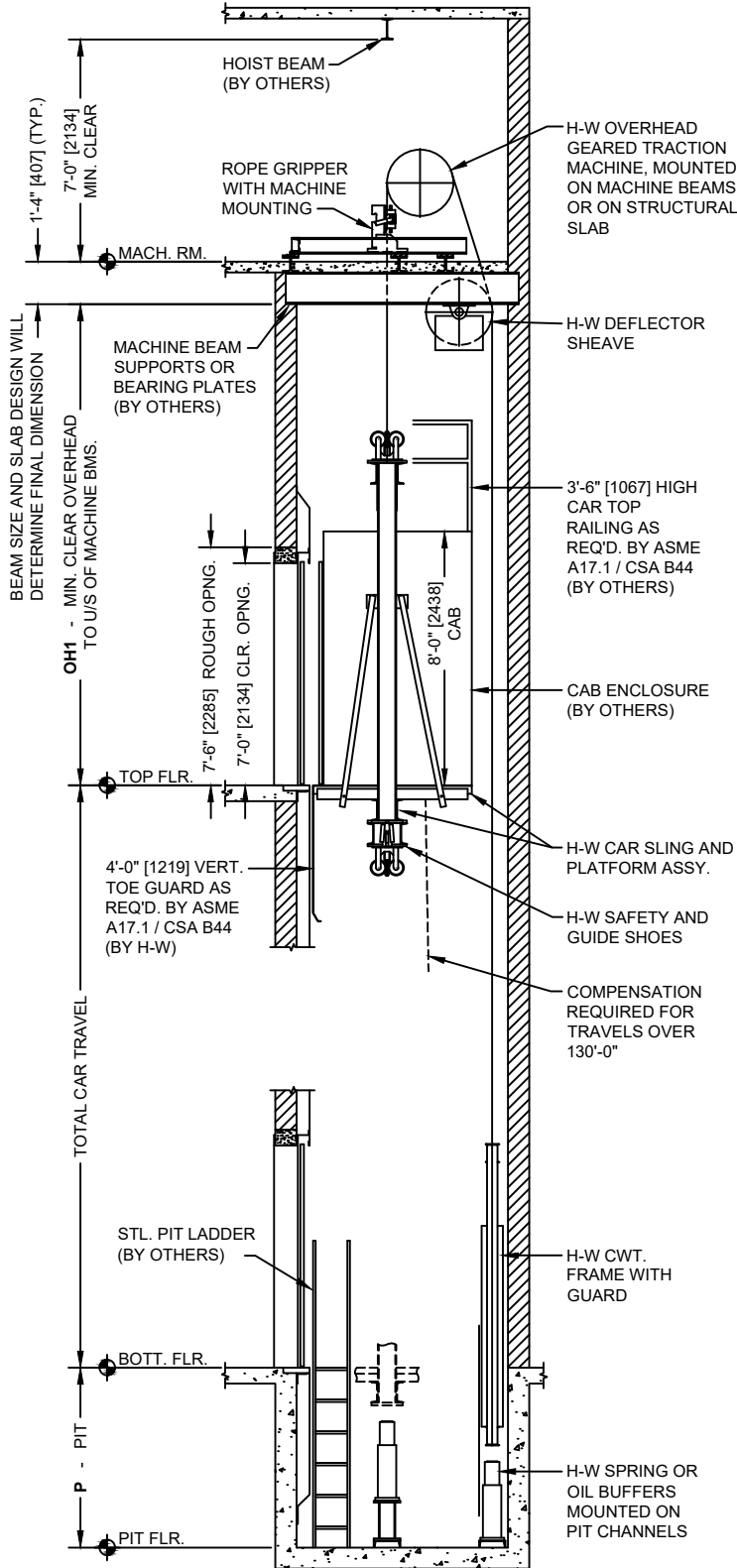
CAPACITY lb [kg]	INSIDE AREA (MAX. SF ALLOWED PER CODE)	H CLEAR OPENING WIDTH ft [mm]	OPENING TYPE (1)	MINIMUM CLEAR CAB INSIDE		PLATFORM SIZE		HOISTWAY SIZE (NON-SEISMIC)			HOISTWAY SIZE (SEISMIC ZONE 2 OR GREATER)			MACH. ROOM
				A WIDTH ft [mm]	B DEPTH ft [mm]	C WIDTH ft [mm]	D DEPTH ft [mm]	E CLR. WIDTH ft [mm]	F CLR. DEPTH ft [mm]	G (DUPLEX) WALL TO WALL ft [mm]	E CLR. WIDTH ft [mm]	F CLR. DEPTH ft [mm]	G (DUPLEX) WALL TO WALL ft [mm]	MD DEPTH ft [mm]
2,000 [900]	24.2 [2.25]	3'-0" [914]	SSSO (a)	5'-8" [1727]	4'-3" [1295]	6'-0" [1829]	5'-0" [1524]	7'-4" [2235]	6'-8" [2032]	15'-0" [4572]	7'-8" [2337]	6'-8" [2032]	15'-8" [4775]	14'-6" [4420]
2,500 [1160]	29.1 [2.70]	3'-6" [1067]	SSSO (b) SSCO (a)	6'-8" [2032]	4'-3" [1295]	7'-0" [2134]	5'-0" [1524]	8'-4" [2540]	6'-8" [2032]	17'-0" [5182]	8'-8" [2642]	6'-8" [2032]	17'-8" [5385]	14'-6" [4420]
3,000 [1380]	33.7 [3.13]	3'-6" [1067]	SSSO (b) SSCO (a)	6'-8" [2032]	4'-9" [1448]	7'-0" [2134]	5'-6" [1676]	8'-4" [2540]	7'-2" [2184]	17'-0" [5182]	8'-8" [2642]	7'-2" [2184]	17'-8" [5385]	15'-0" [4572]
3,500 [1600]	38.0 [3.53]	3'-6" [1067]	SSSO (c) SSCO (b)	6'-8" [2032]	5'-5" [1651]	7'-0" [2134]	6'-2" [1880]	8'-4" [2540]	7'-10" [2388]	17'-0" [5182]	8'-8" [2642]	7'-10" [2388]	17'-8" [5385]	15'-8" [4775]
4,000 [1815]	42.2 [3.92]	3'-6" [1067]	SSSO (c)	7'-8" [2337]	5'-5" [1651]	8'-0" [2438]	6'-2" [1880]	9'-4" [2845]	7'-10" [2388]	19'-0" [5791]	9'-8" [2946]	7'-10" [2388]	19'-8" [5994]	15'-8" [4775]
4,000 [1815]	42.2 [3.92]	4'-0" [1219]	SSCO (c)	7'-8" [2337]	5'-5" [1651]	8'-0" [2438]	6'-2" [1880]	9'-4" [2845]	7'-10" [2388]	19'-0" [5791]	9'-8" [2946]	7'-10" [2388]	19'-8" [5994]	15'-8" [4775]

a. These car dimensions and entrance types provide wheelchair accessibility.  
 b. These car dimensions and entrance types provide wheelchair accessibility and accommodate an ambulance type stretcher of (76"x24") in the horizontal position.  
 c. These car dimensions and entrance types provide wheelchair accessibility and accommodate an ambulance type stretcher of (84"x24") in the horizontal position as required by the IBC.

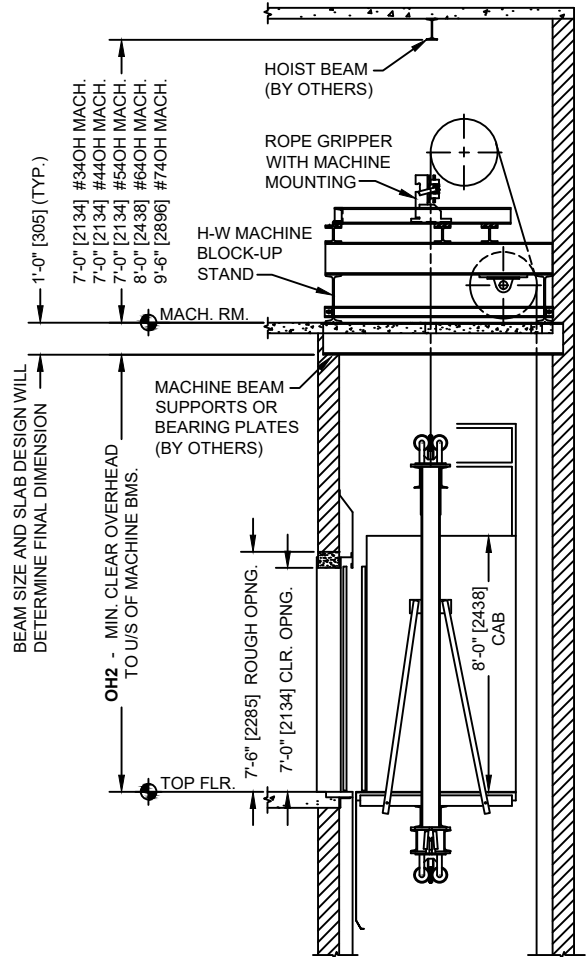


# OVERHEAD GEARED TRACTION DESIGN GUIDE

## Passenger, Front Opening, CWT at Rear



**HOISTWAY SECTION  
(DEFLECTOR SHV. AT TOP OF HOISTWAY)**



**HOISTWAY SECTION  
(DEFLECTOR SHV. IN MACHINE ROOM)**

PIT AND OVERHEAD DIMENSIONS			
RATED SPEED fpm [m/s]	PIT DEPTH	MIN. OVERHEAD CLEAR TO U/S BMS. (DEFLECTOR SHV. AT TOP OF HOISTWAY)	MIN. OVERHEAD CLEAR TO U/S BMS. (DEFLECTOR SHV. IN MACHINE ROOM)
	P	OH1	OH2
100 - 200 fpm [.50 - 1.00 m/s]	5'-6" [1676]	14'-7" [4445]	13'-5" [4089]
250 - 350 fpm [1.25 - 1.75 m/s]	5'-8" [1727]	15'-2" [4623]	14'-0" [4267]
400 fpm [2.00 m/s]	6'-0" [1829]	15'-6" [4725]	14'-4" [4369]
450 fpm [2.25 m/s]	6'-8" [2032]	16'-1" [4902]	14'-11" [4547]
500 fpm [2.50 m/s]	6'-8" [2032]	16'-3" [4953]	15'-1" [4597]

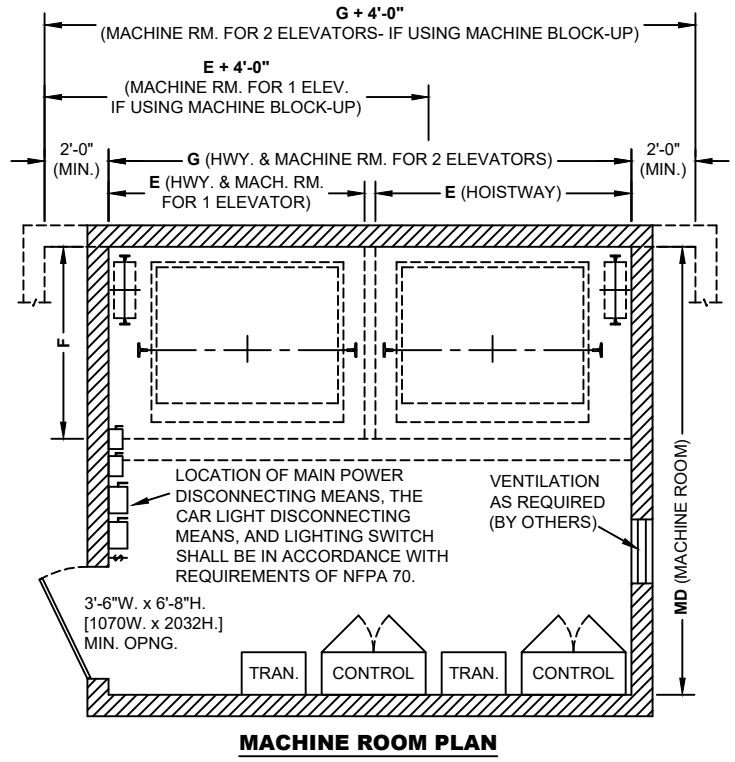
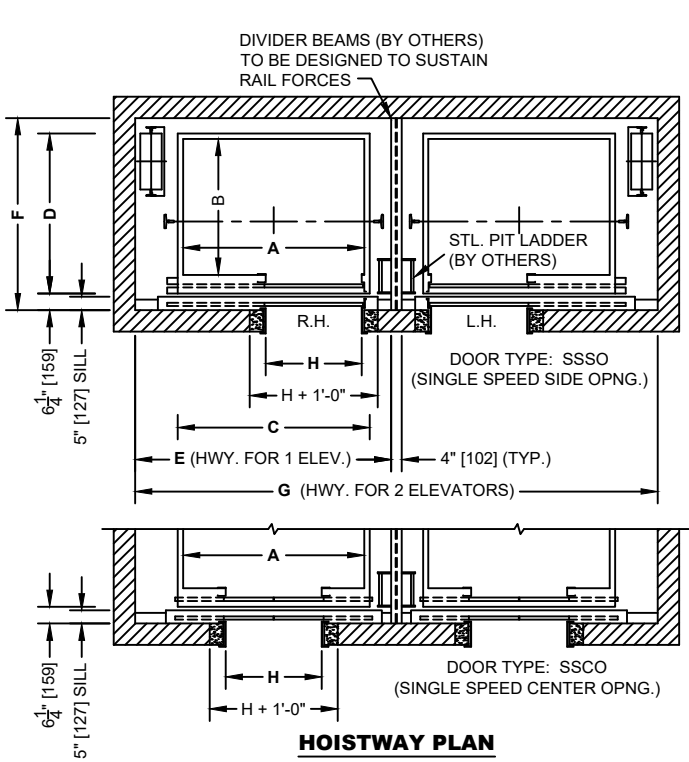
Overhead dimensions (OH) are based on an 8'-0" [2438mm] cab height with a 7'-0" [2134mm] door. For 9'-0" [2745] cab use OH + 1'-0" [305]. For 10'-0" [3050] cab use OH + 2'-0" [610].





# OVERHEAD GEARED TRACTION DESIGN GUIDE

## Passenger, Front Opening, CWT at Side



**NOTES:**

1. Dimensions shown are based on standard sizes and capacities for typical building installations and should only be used for preliminary planning. Contact H-W for additional information before proceeding with construction or for assistance with existing or special conditions.
2. Dimensional data complies with the ASME A17.1 / CSA B44 Safety Code for Elevators and Escalators. State or local codes must be used if they differ from national code.
3. Interior cab dimensions may vary depending on the interior finishes. The platform and hoistway sizes should be increased accordingly for extra thick cab finishes.
4. Note: This arrangement does not have adequate space to accommodate counterweight safeties. Therefore, "occupied space" below the pit is not permitted with this arrangement.

**HOISTWAY AND MACHINE ROOM DIMENSIONS**

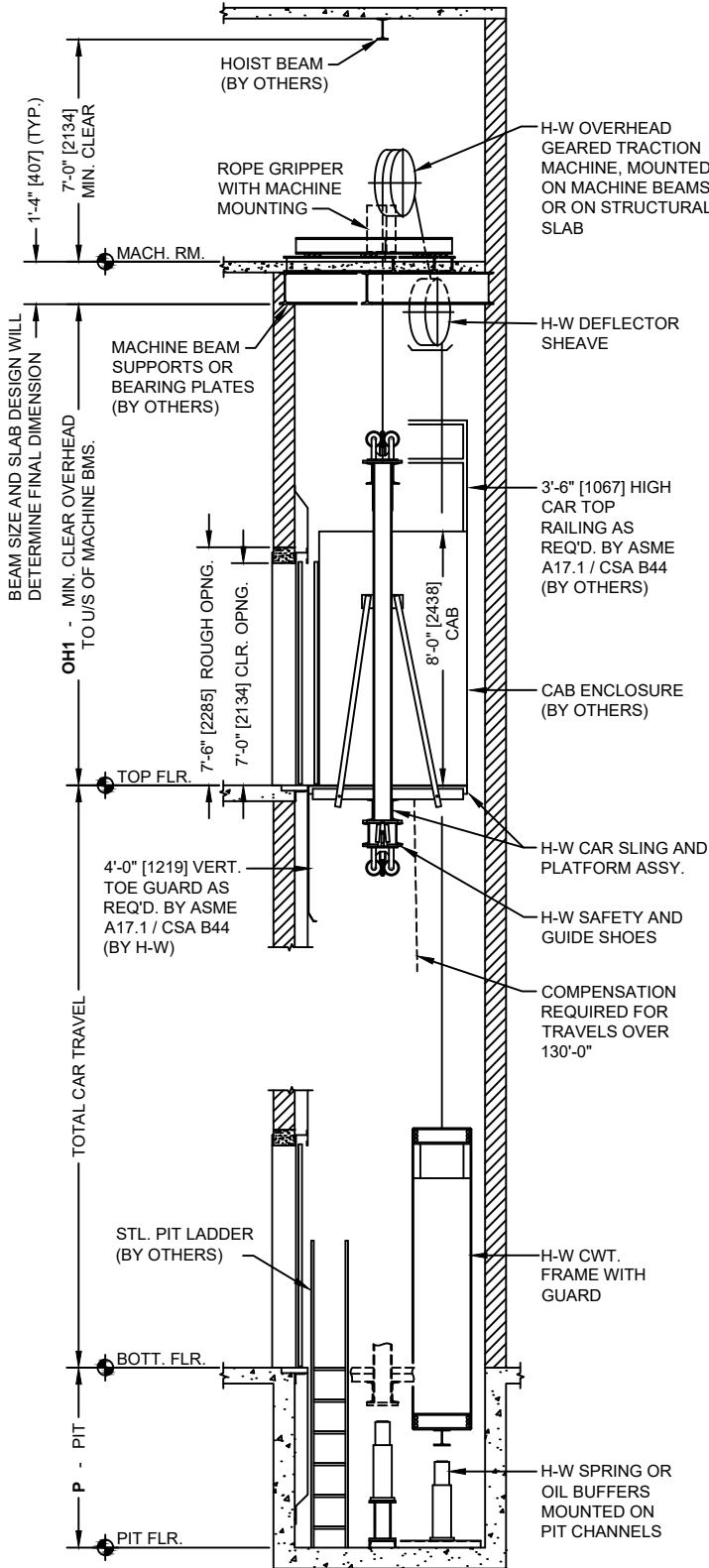
CAPACITY lb [kg]	INSIDE AREA (MAX. SF ALLOWED PER CODE)	H CLEAR OPENING WIDTH ft [mm]	OPENING TYPE (1)	MINIMUM CLEAR CAB INSIDE		PLATFORM SIZE		HOISTWAY SIZE (NON-SEISMIC)			HOISTWAY SIZE (SEISMIC ZONE 2 OR GREATER)			MACH. ROOM MD DEPTH ft [mm]
				A WIDTH ft [mm]	B DEPTH ft [mm]	C WIDTH ft [mm]	D DEPTH ft [mm]	E CLR. WIDTH ft [mm]	F CLR. DEPTH ft [mm]	G (DUPLEX) WALL TO WALL ft [mm]	E CLR. WIDTH ft [mm]	F CLR. DEPTH ft [mm]	G (DUPLEX) WALL TO WALL ft [mm]	
2,000 [900]	24.2 [2.25]	3'-0" [914]	SSSO (a)	5'-8" [1727]	4'-3" [1295]	6'-0" [1829]	5'-0" [1524]	8'-0" [2439]	6'-0" [1829]	16'-4" [4979]	8'-2" [2489]	6'-0" [1829]	16'-8" [5080]	14'-0" [4267]
2,500 [1160]	29.1 [2.70]	3'-6" [1067]	SSSO (b) SSCO (a)	6'-8" [2032]	4'-3" [1295]	7'-0" [2134]	5'-0" [1524]	9'-0" [2743]	6'-0" [1829]	18'-4" [5588]	9'-2" [2794]	6'-0" [1829]	18'-8" [5690]	14'-0" [4267]
3,000 [1380]	33.7 [3.13]	3'-6" [1067]	SSSO (b) SSCO (a)	6'-8" [2032]	4'-9" [1448]	7'-0" [2134]	5'-6" [1676]	9'-0" [2743]	6'-6" [1981]	18'-4" [5588]	9'-2" [2794]	6'-6" [1981]	18'-8" [5690]	14'-6" [4420]
3,500 [1600]	38.0 [3.53]	3'-6" [1067]	SSSO (c) SSCO (b)	6'-8" [2032]	5'-5" [1651]	7'-0" [2134]	6'-2" [1880]	9'-2" [2794]	7'-3" [2210]	18'-8" [5690]	9'-4" [2845]	7'-3" [2210]	19'-0" [5791]	15'-0" [4572]
4,000 [1815]	42.2 [3.92]	3'-6" [1067]	SSSO (c)	7'-8" [2337]	5'-5" [1651]	8'-0" [2438]	6'-2" [1880]	10'-4" [3150]	7'-3" [2210]	21'-0" [6401]	10'-6" [3200]	7'-3" [2210]	21'-4" [6502]	15'-0" [4572]
4,000 [1815]	42.2 [3.92]	4'-0" [1219]	SSCO (c)	7'-8" [2337]	5'-5" [1651]	8'-0" [2438]	6'-2" [1880]	10'-4" [3150]	7'-3" [2210]	21'-0" [6401]	10'-6" [3200]	7'-3" [2210]	21'-4" [6502]	15'-0" [4572]

a. These car dimensions and entrance types provide wheelchair accessibility.  
 b. These car dimensions and entrance types provide wheelchair accessibility and accommodate an ambulance type stretcher of (76"x24") in the horizontal position.  
 c. These car dimensions and entrance types provide wheelchair accessibility and accommodate an ambulance type stretcher of (84"x24") in the horizontal position as required by the IBC.

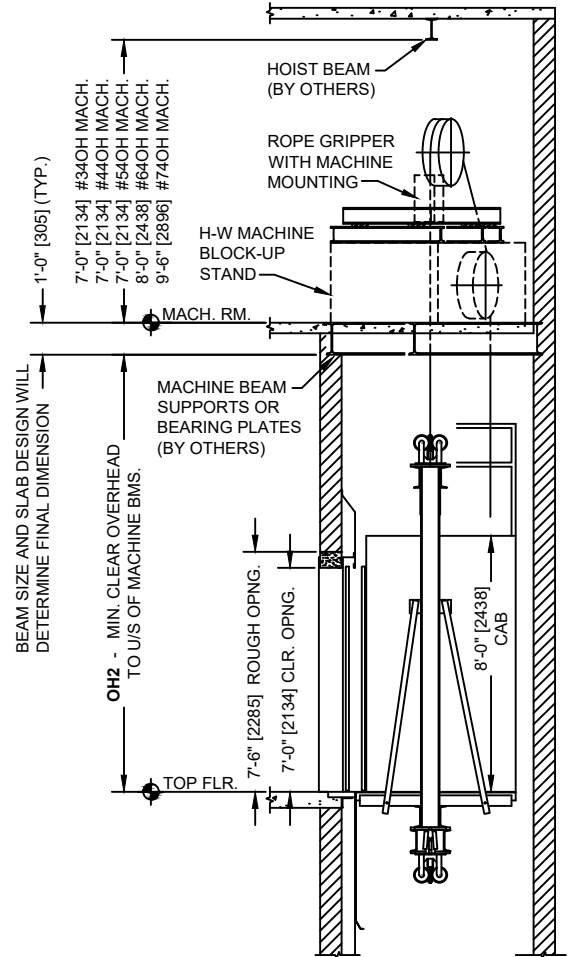


# OVERHEAD GEARED TRACTION DESIGN GUIDE

## Passenger, Front Opening, CWT at Side



**HOISTWAY SECTION  
(DEFLECTOR SHV. AT TOP OF HOISTWAY)**



**HOISTWAY SECTION  
(DEFLECTOR SHV. IN MACHINE ROOM)**

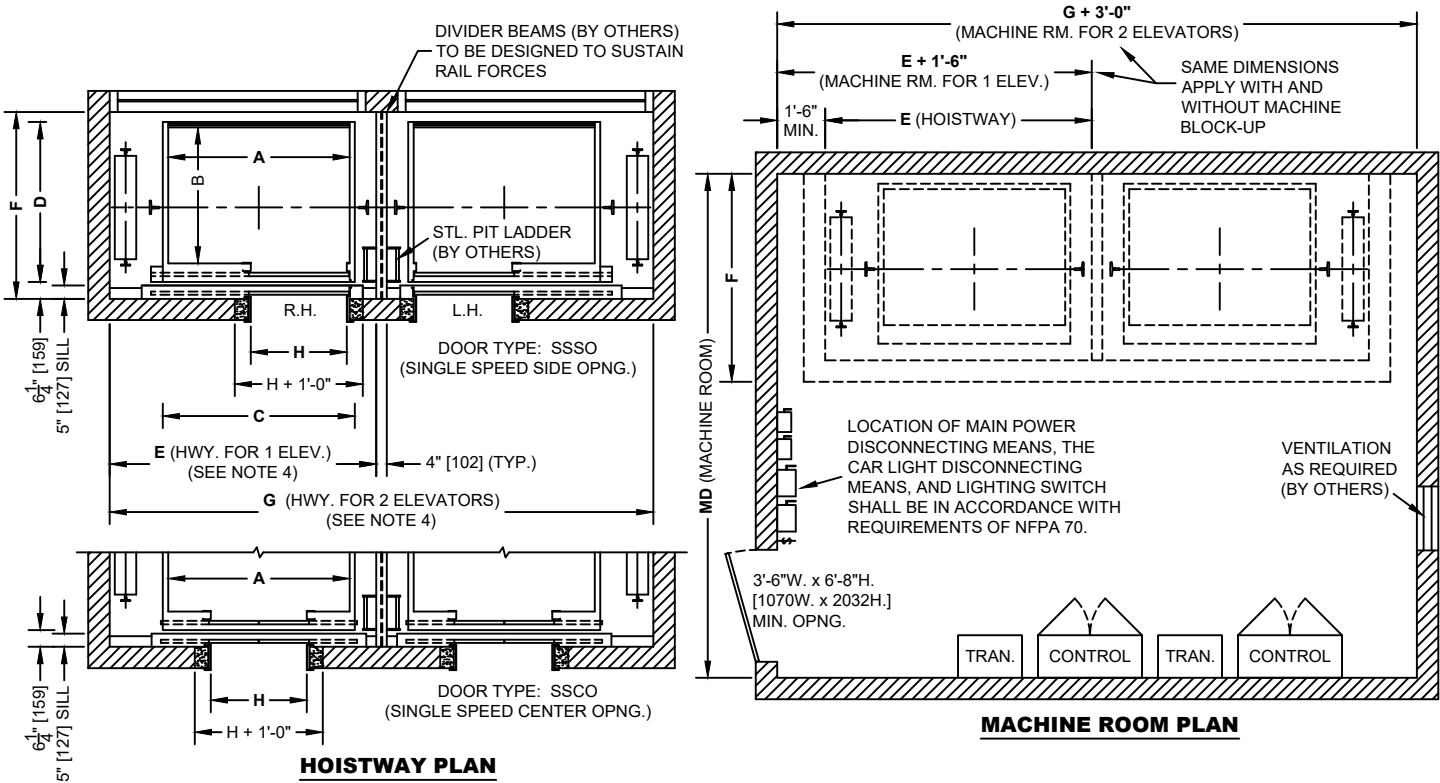
PIT AND OVERHEAD DIMENSIONS			
RATED SPEED fpm [m/s]	PIT DEPTH	MIN. OVERHEAD CLEAR TO U/S BMS. (DEFLECTOR SHV. AT TOP OF HOISTWAY)	MIN. OVERHEAD CLEAR TO U/S BMS. (DEFLECTOR SHV. IN MACHINE ROOM)
	P	OH1	OH2
100 - 200 fpm [.50 - 1.00 m/s]	5'-6" [1676]	14'-7" [4445]	13'-5" [4089]
250 - 350 fpm [1.25 - 1.75 m/s]	5'-8" [1727]	15'-2" [4623]	14'-0" [4267]
400 fpm [2.00 m/s]	6'-0" [1829]	15'-6" [4725]	14'-4" [4369]
450 fpm [2.25 m/s]	6'-8" [2032]	16'-1" [4902]	14'-11" [4547]
500 fpm [2.50 m/s]	6'-8" [2032]	16'-3" [4953]	15'-1" [4597]

Overhead dimensions (OH) are based on an 8'-0" [2438mm] cab height with a 7'-0" [2134mm] door. For 9'-0" [2745] cab use OH + 1'-0" [305]. For 10'-0" [3050] cab use OH + 2'-0" [610].



# OVERHEAD GEARED TRACTION DESIGN GUIDE

## Passenger, Front Opening, CWT at Side, Glass-Back Cab



**NOTES:**

1. Dimensions shown are based on standard sizes and capacities for typical building installations and should only be used for preliminary planning. Contact H-W for additional information before proceeding with construction or for assistance with existing or special conditions.
2. Dimensional data complies with the ASME A17.1 / CSA B44 Safety Code for Elevators and Escalators. State or local codes must be used if they differ from national code.
3. Interior cab dimensions may vary depending on the interior finishes. The platform and hoistway sizes should be increased accordingly for extra thick cab finishes.
4. Counterweight safeties are required if there is "occupied space" below the pit. Add 10" [254] to the hoistway and machine room widths listed for each elevator.

**HOISTWAY AND MACHINE ROOM DIMENSIONS**

CAPACITY lb [kg]	INSIDE AREA (MAX. SF ALLOWED PER CODE)	H CLEAR OPENING WIDTH ft [mm]	OPENING TYPE (1)	MINIMUM CLEAR CAB INSIDE		PLATFORM SIZE		HOISTWAY SIZE (NON-SEISMIC)			HOISTWAY SIZE (SEISMIC ZONE 2 OR GREATER)			MACH. ROOM
				A WIDTH ft [mm]	B DEPTH ft [mm]	C WIDTH ft [mm]	D DEPTH ft [mm]	E CLR. WIDTH ft [mm]	F CLR. DEPTH ft [mm]	G (DUPLEX) WALL TO WALL ft [mm]	E CLR. WIDTH ft [mm]	F CLR. DEPTH ft [mm]	G (DUPLEX) WALL TO WALL ft [mm]	MD DEPTH ft [mm]
2,000 [900]	24.2 [2.25]	3'-0" [914]	SSSO (a)	5'-8" [1727]	4'-3" [1295]	6'-0" [1829]	5'-0" [1524]	8'-4" [2540]	5'-10" [1778]	17'-0" [5182]	8'-6" [2591]	5'-10" [1778]	17'-4" [5284]	14'-0" [4268]
2,500 [1160]	29.1 [2.70]	3'-6" [1067]	SSSO (b) SSCO (a)	6'-8" [2032]	4'-3" [1295]	7'-0" [2134]	5'-0" [1524]	9'-4" [2845]	5'-10" [1778]	19'-0" [5791]	9'-6" [2896]	5'-10" [1778]	19'-4" [5893]	14'-0" [4268]
3,000 [1380]	33.7 [3.13]	3'-6" [1067]	SSSO (b) SSCO (a)	6'-8" [2032]	4'-9" [1448]	7'-0" [2134]	5'-6" [1676]	9'-4" [2845]	6'-4" [1930]	19'-0" [5791]	9'-6" [2896]	6'-4" [1930]	19'-4" [5893]	14'-6" [4420]
3,500 [1600]	38.0 [3.53]	3'-6" [1067]	SSSO (c) SSCO (b)	6'-8" [2032]	5'-5" [1651]	7'-0" [2134]	6'-2" [1880]	9'-4" [2845]	7'-0" [2134]	19'-0" [5791]	9'-6" [2896]	7'-0" [2134]	19'-4" [5893]	15'-2" [4623]
4,000 [1815]	42.2 [3.92]	3'-6" [1067]	SSSO (c)	7'-8" [2337]	5'-5" [1651]	8'-0" [2438]	6'-2" [1880]	10'-4" [3150]	7'-0" [2134]	21'-0" [6401]	10'-6" [3201]	7'-0" [2134]	21'-4" [6503]	15'-2" [4623]
4,000 [1815]	42.2 [3.92]	4'-0" [1219]	SSCO (c)	7'-8" [2337]	5'-5" [1651]	8'-0" [2438]	6'-2" [1880]	10'-4" [3150]	7'-0" [2134]	21'-0" [6401]	10'-6" [3201]	7'-0" [2134]	21'-4" [6503]	15'-2" [4623]

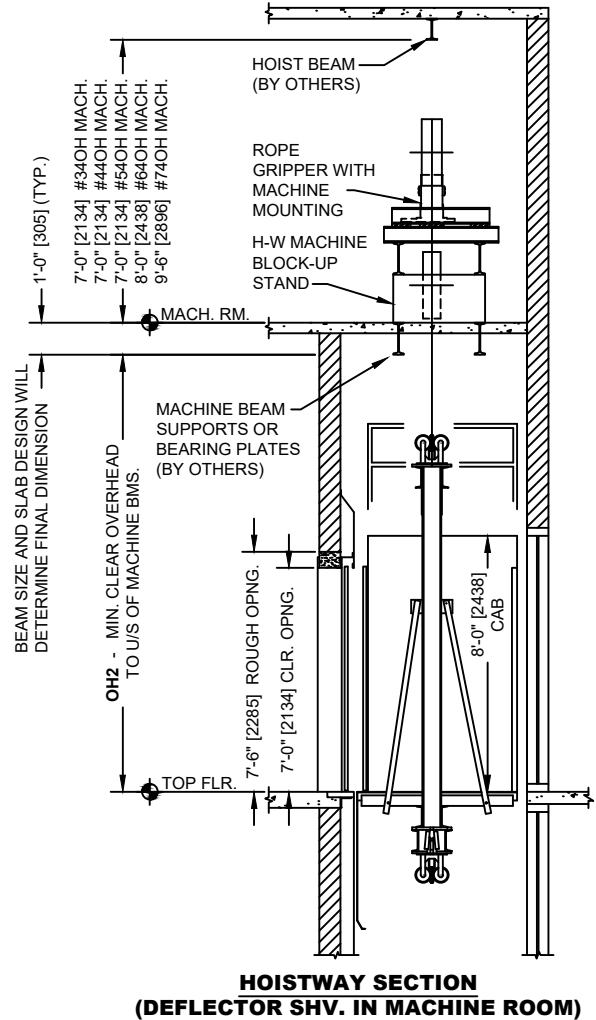
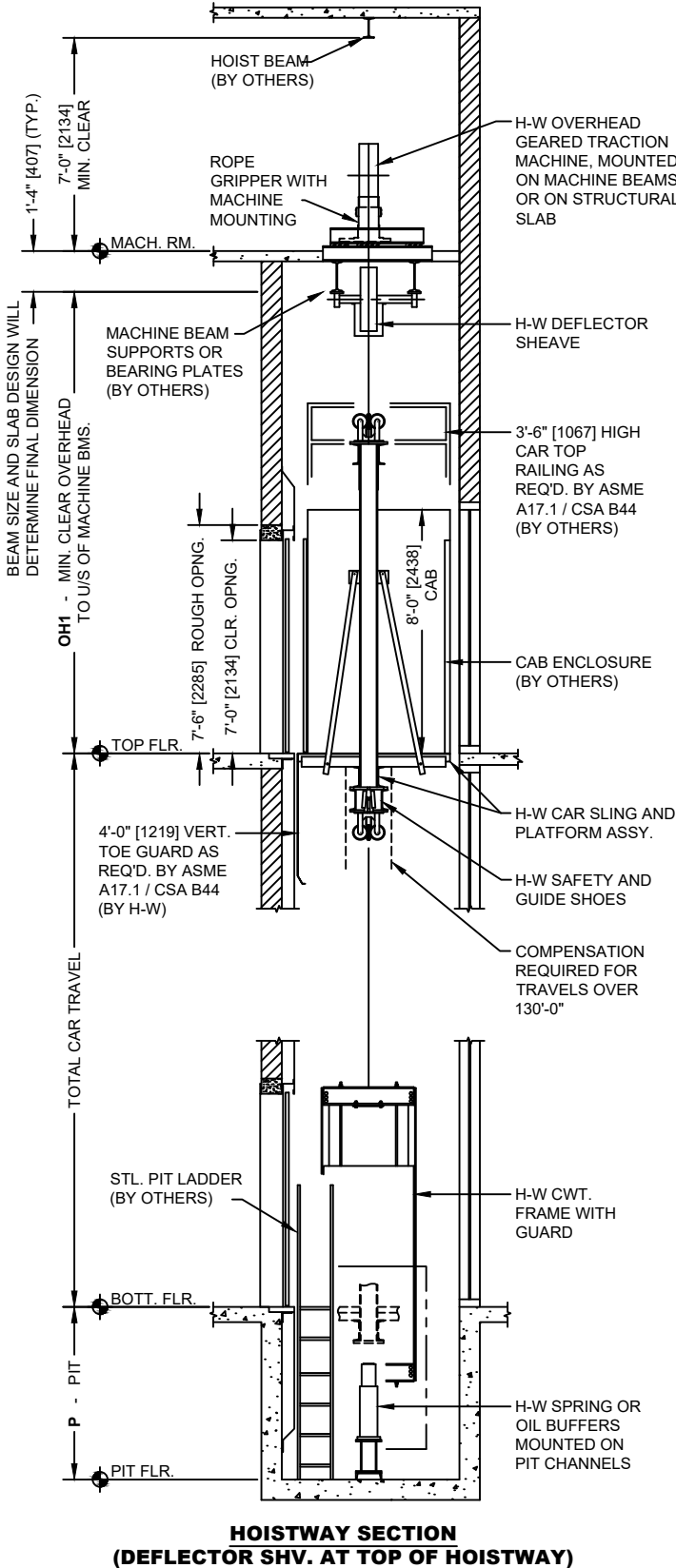
a. These car dimensions and entrance types provide wheelchair accessibility.  
 b. These car dimensions and entrance types provide wheelchair accessibility and accommodate an ambulance type stretcher of (76"x24") in the horizontal position.  
 c. These car dimensions and entrance types provide wheelchair accessibility and accommodate an ambulance type stretcher of (84"x24") in the horizontal position as required by the IBC.





# OVERHEAD GEARED TRACTION DESIGN GUIDE

## Passenger, Front Opening, CWT at Side, Glass-Back Cab



**HOISTWAY SECTION  
(DEFLECTOR SHV. IN MACHINE ROOM)**

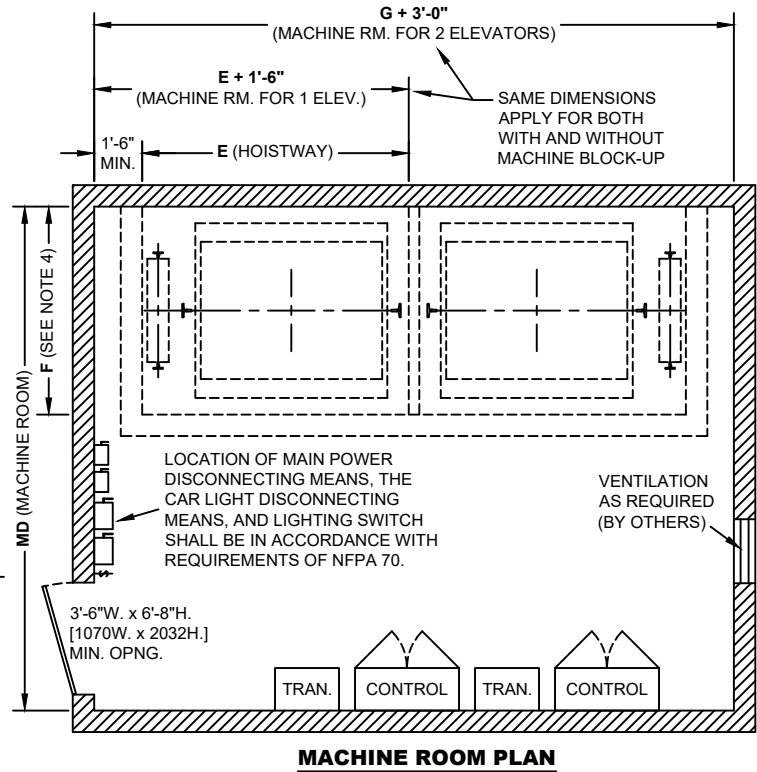
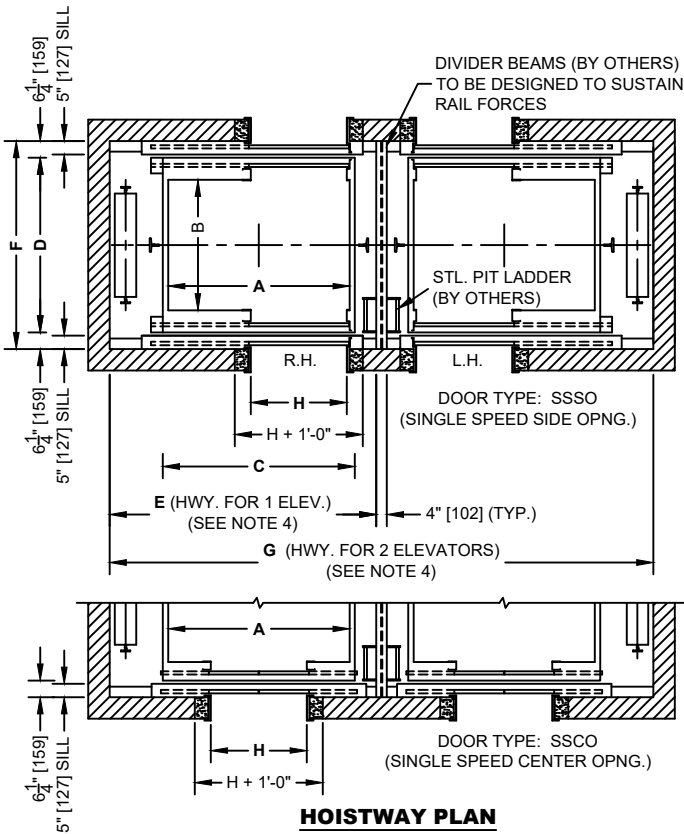
PIT AND OVERHEAD DIMENSIONS			
RATED SPEED fpm [m/s]	PIT DEPTH	MIN. OVERHEAD CLEAR TO U/S BMS. (DEFLECTOR SHV. AT TOP OF HOISTWAY)	MIN. OVERHEAD CLEAR TO U/S BMS. (DEFLECTOR SHV. IN MACHINE ROOM)
	P	OH1	OH2
100 - 200 fpm [.50 - 1.00 m/s]	5'-6" [1676]	14'-11" [4547]	13'-5" [4089]
250 - 350 fpm [1.25 - 1.75 m/s]	5'-8" [1727]	15'-6" [4724]	14'-0" [4267]
400 fpm [2.00 m/s]	6'-0" [1829]	15'-10" [4826]	14'-4" [4369]
450 fpm [2.25 m/s]	6'-8" [2032]	16'-5" [5004]	14'-11" [4547]
500 fpm [2.50 m/s]	6'-8" [2032]	16'-7" [5055]	15'-1" [4597]

Overhead dimensions (OH) are based on an 8'-0" [2438mm] cab height with a 7'-0" [2134mm] door. For 9'-0" [2745] cab use OH + 1'-0" [305]. For 10'-0" [3050] cab use OH + 2'-0" [610].



# OVERHEAD GEARED TRACTION DESIGN GUIDE

## Passenger, Front & Rear Opening, CWT at Side



**NOTES:**

1. Dimensions shown are based on standard sizes and capacities for typical building installations and should only be used for preliminary planning. Contact H-W for additional information before proceeding with construction or for assistance with existing or special conditions.
2. Dimensional data complies with the ASME A17.1 / CSA B44 Safety Code for Elevators and Escalators. State or local codes must be used if they differ from national code.
3. Interior cab dimensions may vary depending on the interior finishes. The platform and hoistway sizes should be increased accordingly for extra thick cab finishes.
4. Counterweight safeties are required if there is "occupied space" below the pit. Add 10" [254] to the hoistway and machine room widths listed for each elevator.

**HOISTWAY AND MACHINE ROOM DIMENSIONS**

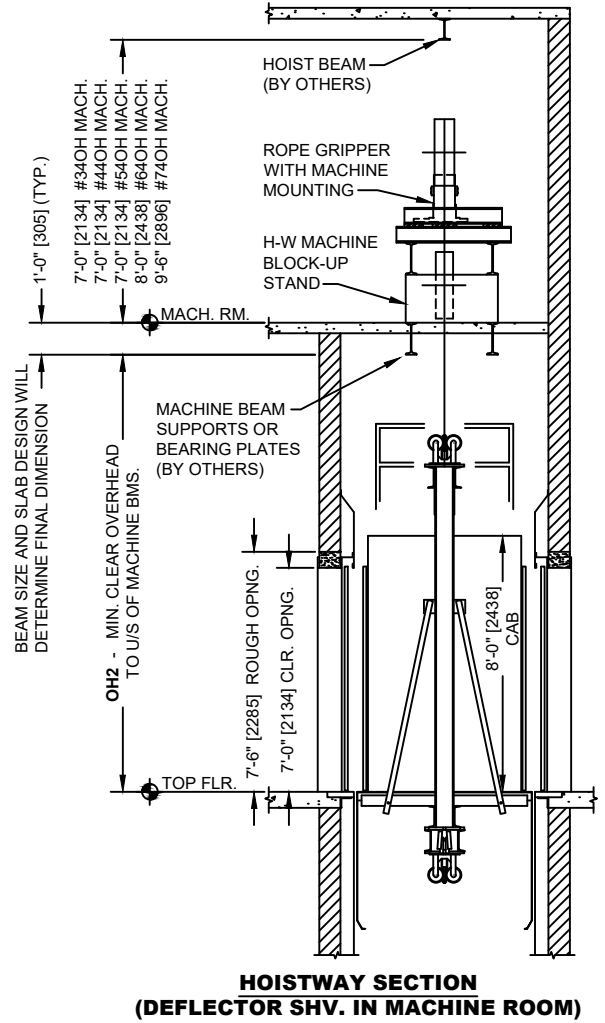
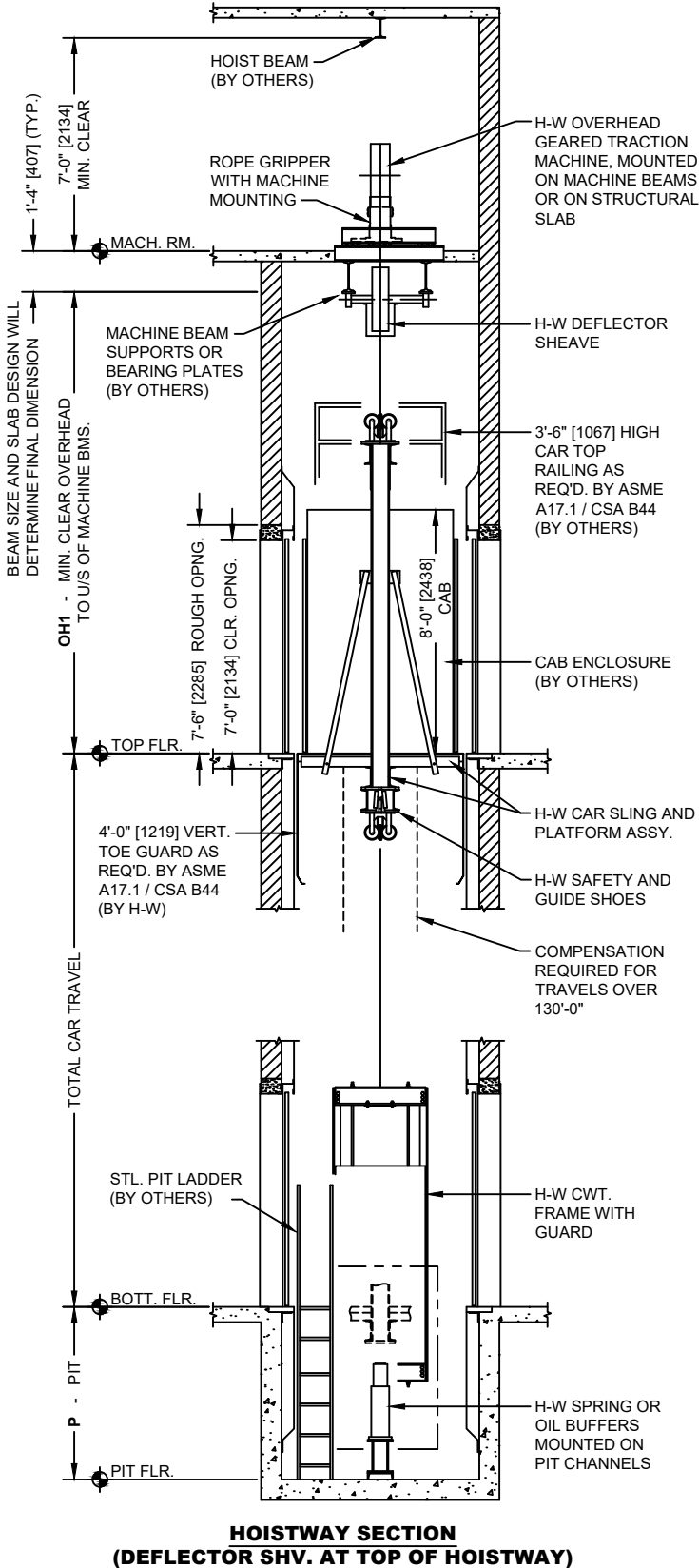
CAPACITY lb [kg]	INSIDE AREA (MAX. SF ALLOWED PER CODE)	H CLEAR OPENING WIDTH ft [mm]	OPENING TYPE (1)	MINIMUM CLEAR CAB INSIDE		PLATFORM SIZE		HOISTWAY SIZE (NON-SEISMIC)			HOISTWAY SIZE (SEISMIC ZONE 2 OR GREATER)			MACH. ROOM MD DEPTH ft [mm]
				A WIDTH ft [mm]	B DEPTH ft [mm]	C WIDTH ft [mm]	D DEPTH ft [mm]	E CLR. WIDTH ft [mm]	F CLR. DEPTH ft [mm]	G (DUPLEX) WALL TO WALL ft [mm]	E CLR. WIDTH ft [mm]	F CLR. DEPTH ft [mm]	G (DUPLEX) WALL TO WALL ft [mm]	
2,000 [900]	24.2 [2.25]	3'-0" [914]	SSSO (a)	5'-8" [1727]	4'-3" [1295]	6'-0" [1829]	5'-7 1/2" [1715]	8'-4" [2540]	6'-8" [2032]	17'-0" [5182]	8'-6" [2591]	6'-8" [2032]	17'-4" [5284]	14'-0" [4268]
2,500 [1160]	29.1 [2.70]	3'-6" [1067]	SSSO (b) SSCO (a)	6'-8" [2032]	4'-3" [1295]	7'-0" [2134]	5'-7 1/2" [1715]	9'-4" [2845]	6'-8" [2032]	19'-0" [5791]	9'-6" [2896]	6'-8" [2032]	19'-4" [5893]	14'-0" [4268]
3,000 [1380]	33.7 [3.13]	3'-6" [1067]	SSSO (b) SSCO (a)	6'-8" [2032]	4'-9" [1448]	7'-0" [2134]	6'-1 1/2" [1867]	9'-4" [2845]	7'-2" [2185]	19'-0" [5791]	9'-6" [2896]	7'-2" [2185]	19'-4" [5893]	14'-6" [4420]
3,500 [1600]	38.0 [3.53]	3'-6" [1067]	SSSO (c) SSCO (b)	6'-8" [2032]	5'-5" [1651]	7'-0" [2134]	6'-9 1/2" [2070]	9'-4" [2845]	7'-10" [2388]	19'-0" [5791]	9'-6" [2896]	7'-10" [2388]	19'-4" [5893]	15'-2" [4623]
4,000 [1815]	42.2 [3.92]	3'-6" [1067]	SSSO (c)	7'-8" [2337]	5'-5" [1651]	8'-0" [2438]	6'-9 1/2" [2070]	10'-4" [3150]	7'-10" [2388]	21'-0" [6401]	10'-6" [3201]	7'-10" [2388]	21'-4" [6503]	15'-2" [4623]
4,000 [1815]	42.2 [3.92]	4'-0" [1219]	SSCO (c)	7'-8" [2337]	5'-5" [1651]	8'-0" [2438]	6'-9 1/2" [2070]	10'-4" [3150]	7'-10" [2388]	21'-0" [6401]	10'-6" [3201]	7'-10" [2388]	21'-4" [6503]	15'-2" [4623]

a. These car dimensions and entrance types provide wheelchair accessibility.  
 b. These car dimensions and entrance types provide wheelchair accessibility and accommodate an ambulance type stretcher of (76"x24") in the horizontal position.  
 c. These car dimensions and entrance types provide wheelchair accessibility and accommodate an ambulance type stretcher of (84"x24") in the horizontal position as required by the IBC.



# OVERHEAD GEARED TRACTION DESIGN GUIDE

## Passenger, Front & Rear Opening, CWT at Side



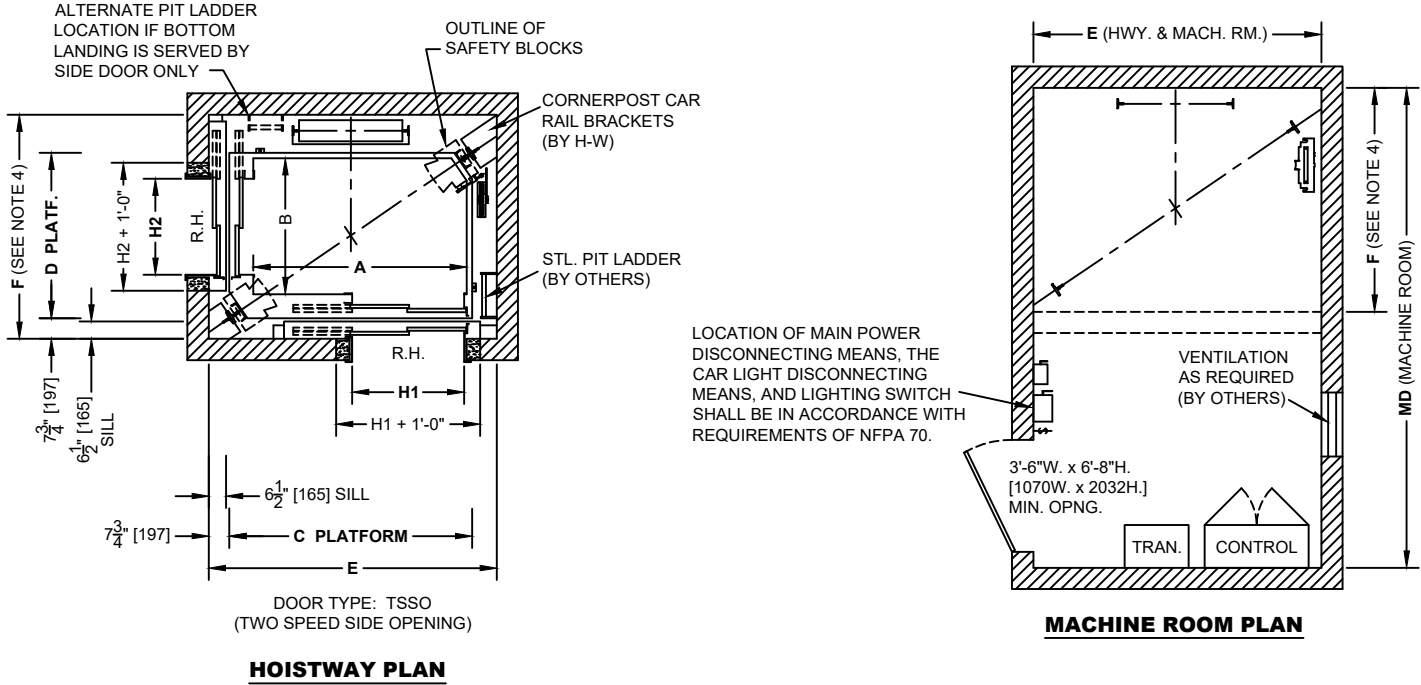
PIT AND OVERHEAD DIMENSIONS			
RATED SPEED fpm [m/s]	PIT DEPTH	MIN. OVERHEAD CLEAR TO U/S BMS. (DEFLECTOR SHV. AT TOP OF HOISTWAY)	MIN. OVERHEAD CLEAR TO U/S BMS. (DEFLECTOR SHV. IN MACHINE ROOM)
	P	OH1	OH2
100 - 200 fpm [.50 - 1.00 m/s]	5'-6" [1676]	14'-11" [4547]	13'-5" [4089]
250 - 350 fpm [1.25 - 1.75 m/s]	5'-8" [1727]	15'-6" [4724]	14'-0" [4267]
400 fpm [2.00 m/s]	6'-0" [1829]	15'-10" [4826]	14'-4" [4369]
450 fpm [2.25 m/s]	6'-8" [2032]	16'-5" [5004]	14'-11" [4547]
500 fpm [2.50 m/s]	6'-8" [2032]	16'-7" [5055]	15'-1" [4597]

Overhead dimensions (OH) are based on an 8'-0" [2438mm] cab height with a 7'-0" [2134mm] door. For 9'-0" [2745] cab use OH + 1'-0" [305]. For 10'-0" [3050] cab use OH + 2'-0" [610].



# OVERHEAD GEARED TRACTION DESIGN GUIDE

## Passenger, Front & Side Opening (Cornerpost), CWT at Rear



- NOTES:**
- Dimensions shown are based on standard sizes and capacities for typical building installations and should only be used for preliminary planning. Contact H-W for additional information before proceeding with construction or for assistance with existing or special conditions.
  - Dimensional data complies with the ASME A17.1 / CSA B44 Safety Code for Elevators and Escalators. State or local codes must be used if they differ from national code.
  - Interior cab dimensions may vary depending on the interior finishes. The platform and hoistway sizes should be increased accordingly for extra thick cab finishes.
  - Counterweight safeties are required if there is "occupied space" below the pit. Add 8" [203] to the hoistway and machine room depths listed.
  - Larger car sizes may be possible up to a maximum of 5,000# capacity. Consult with H-W engineering department.

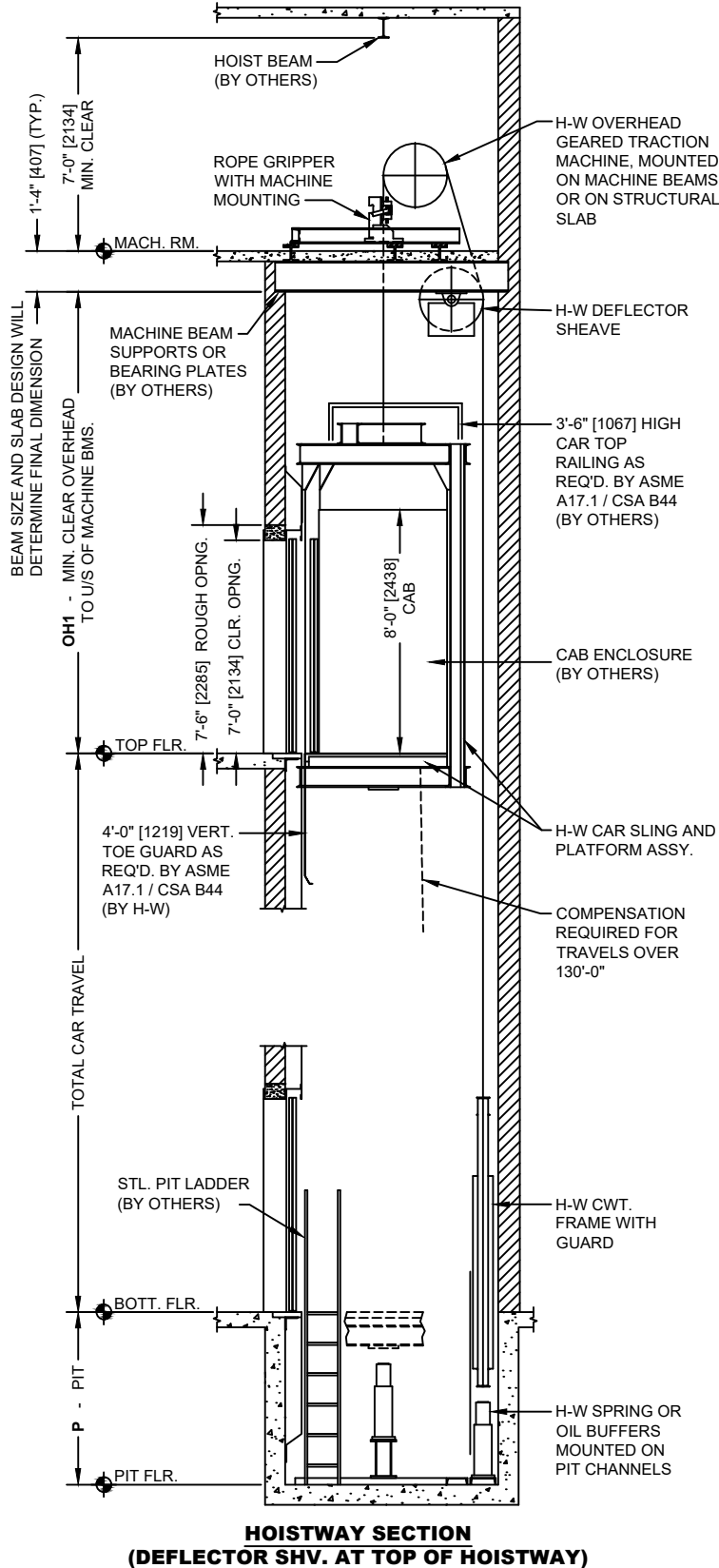
HOISTWAY AND MACHINE ROOM DIMENSIONS												
CAPACITY lb [kg]	INSIDE AREA (MAX. SF ALLOWED PER CODE)	H1 CLEAR OPENING WIDTH ft [mm]	OPENING TYPE (1)	H2 CLEAR OPENING WIDTH ft [mm]	OPENING TYPE (1)	MINIMUM CLEAR CAB INSIDE		PLATFORM SIZE		HOISTWAY SIZE (SEISMIC ZONE 0 - 4)		MACH. ROOM
						A WIDTH ft [mm]	B DEPTH ft [mm]	C WIDTH ft [mm]	D DEPTH ft [mm]	E CLR. WIDTH ft [mm]	F CLR. DEPTH ft [mm]	MD DEPTH ft [mm]
2,000 [900]	24.2 [2.25]	3'-0" [914]	TSSO (a)	3'-0" [914]	TSSO (a)	5'-8" [1727]	4'-3" [1295]	6'-7" [2007]	5'-2" [1575]	8'-0" [2438]	7'-0" [2134]	15'-0" [4572]
2,500 [1160]	29.1 [2.70]	3'-6" [1067]	TSSO (b)	3'-0" [914]	TSSO (b)	6'-8" [2032]	4'-3" [1295]	7'-7" [2311]	5'-2" [1575]	9'-0" [2743]	7'-0" [2134]	15'-0" [4572]
3,000 [1380]	33.7 [3.13]	3'-6" [1067]	TSSO (b)	3'-0" [914]	TSSO (b)	6'-8" [2032]	4'-9" [1448]	7'-7" [2311]	5'-8" [1727]	9'-0" [2743]	7'-6" [2286]	15'-6" [4724]
3,500 [1600]	38.0 [3.53]	3'-6" [1067]	TSSO (c)	3'-6" [1067]	TSSO (c)	6'-8" [2032]	5'-5" [1651]	7'-7" [2311]	6'-4" [1930]	9'-0" [2743]	8'-2" [2489]	16'-0" [4877]
4,000 [1815]	42.2 [3.92]	4'-0" [1219]	TSSO (c)	3'-6" [1067]	TSSO (c)	7'-8" [2337]	5'-5" [1651]	8'-7" [2616]	6'-4" [1930]	10'-0" [3048]	8'-2" [2489]	16'-0" [4877]

a. These car dimensions and entrance types provide wheelchair accessibility.  
b. These car dimensions and entrance types provide wheelchair accessibility and accommodate an ambulance type stretcher of (76"x24") in the horizontal position.  
c. These car dimensions and entrance types provide wheelchair accessibility and accommodate an ambulance type stretcher of (84"x24") in the horizontal position as required by the IBC.

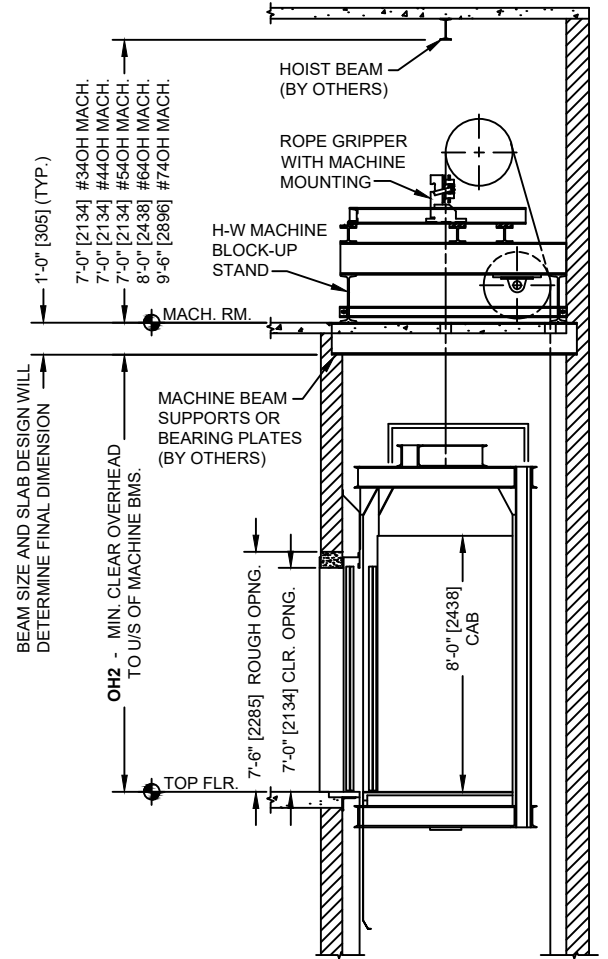


# OVERHEAD GEARED TRACTION DESIGN GUIDE

## Passenger, Front & Side Opening (Cornerpost), CWT at Rear



**HOISTWAY SECTION  
(DEFLECTOR SHV. AT TOP OF HOISTWAY)**



**HOISTWAY SECTION  
(DEFLECTOR SHV. IN MACHINE ROOM)**

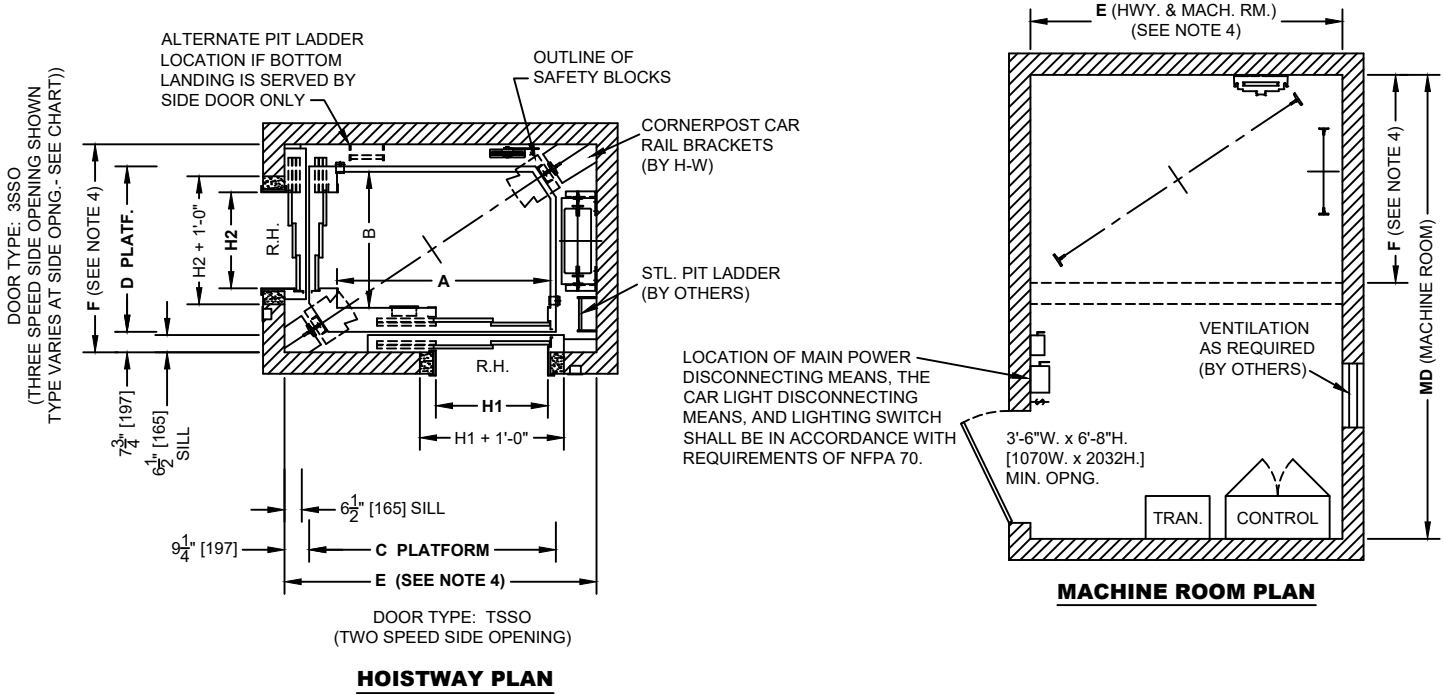
PIT AND OVERHEAD DIMENSIONS			
RATED SPEED fpm [m/s]	PIT DEPTH	MIN. OVERHEAD CLEAR TO U/S BMS. (DEFLECTOR SHV. AT TOP OF HOISTWAY)	MIN. OVERHEAD CLEAR TO U/S BMS. (DEFLECTOR SHV. IN MACHINE ROOM)
	P	OH1	OH2
100 - 200 fpm [.50 - 1.00 m/s]	5'-6" [1676]	14'-9" [4496]	14'-3" [4343]
250 - 350 fpm [1.25 - 1.75 m/s]	5'-8" [1727]	15'-4" [4674]	14'-10" [4521]
400 fpm [2.00 m/s]	6'-0" [1829]	15'-8" [4775]	15'-2" [4623]
450 fpm [2.25 m/s]	6'-9" [2057]	16'-3" [4953]	15'-9" [4801]
500 fpm [2.50 m/s]	6'-9" [2057]	16'-5" [5004]	15'-11" [4851]

Overhead dimensions (OH) are based on an 8'-0" [2438mm] cab height with a 7'-0" [2134mm] door. For 9'-0" [2745] cab use OH + 1'-0" [305]. For 10'-0" [3050] cab use OH + 2'-0" [610].



# OVERHEAD GEARED TRACTION DESIGN GUIDE

## Passenger, Front & Side Opening (Cornerpost), CWT at Side



**NOTES:**

1. Dimensions shown are based on standard sizes and capacities for typical building installations and should only be used for preliminary planning. Contact H-W for additional information before proceeding with construction or for assistance with existing or special conditions.
2. Dimensional data complies with the ASME A17.1 / CSA B44 Safety Code for Elevators and Escalators. State or local codes must be used if they differ from national code.
3. Interior cab dimensions may vary depending on the interior finishes. The platform and hoistway sizes should be increased accordingly for extra thick cab finishes.
4. Counterweight safeties are required if there is "occupied space" below the pit. This arrangement may not provide enough space to accommodate a counterweight safety. Consult with H-W engineering department.
5. Larger car sizes may be possible up to a maximum of 5,000# capacity. Consult with H-W engineering department.

HOISTWAY AND MACHINE ROOM DIMENSIONS												
CAPACITY lb [kg]	INSIDE AREA (MAX. SF ALLOWED PER CODE)	H1 CLEAR OPENING WIDTH ft [mm]	OPENING TYPE (1)	H2 CLEAR OPENING WIDTH ft [mm]	OPENING TYPE (1)	MINIMUM CLEAR CAB INSIDE		PLATFORM SIZE		HOISTWAY SIZE (SEISMIC ZONE 0 - 4)		MACH. ROOM
						A WIDTH ft [mm]	B DEPTH ft [mm]	C WIDTH ft [mm]	D DEPTH ft [mm]	E CLR. WIDTH ft [mm]	F CLR. DEPTH ft [mm]	MD DEPTH ft [mm]
2,000 [900]	24.2 [2.25]	3'-0" [914]	TSSO (a)	3'-0" [914]	3SSO (a)	5'-8" [1727]	4'-3" [1295]	6'-8 1/2" [2045]	5'-2" [1575]	8'-9" [2667]	6'-6" [1981]	14'-6" [4420]
2,500 [1160]	29.1 [2.70]	3'-6" [1067]	TSSO (b)	3'-0" [914]	3SSO (b)	6'-8" [2032]	4'-3" [1295]	7'-8 1/2" [2350]	5'-2" [1575]	9'-9" [2972]	6'-6" [1981]	14'-6" [4420]
3,000 [1380]	33.7 [3.13]	3'-6" [1067]	TSSO (b)	3'-0" [914]	TSSO (b)	6'-8" [2032]	4'-9" [1448]	7'-7" [2311]	5'-8" [1727]	9'-6" [2896]	7'-0" [2134]	15'-0" [4572]
3,500 [1600]	38.0 [3.53]	3'-6" [1067]	TSSO (c)	3'-6" [1067]	TSSO (c)	6'-8" [2032]	5'-5" [1651]	7'-7" [2311]	6'-4" [1930]	9'-6" [2896]	7'-9" [2362]	15'-9" [4801]
4,000 [1815]	42.2 [3.92]	4'-0" [1219]	TSSO (c)	3'-6" [1067]	TSSO (c)	7'-8" [2337]	5'-5" [1651]	8'-7" [2616]	6'-4" [1930]	10'-6" [3200]	7'-9" [2362]	15'-9" [4801]

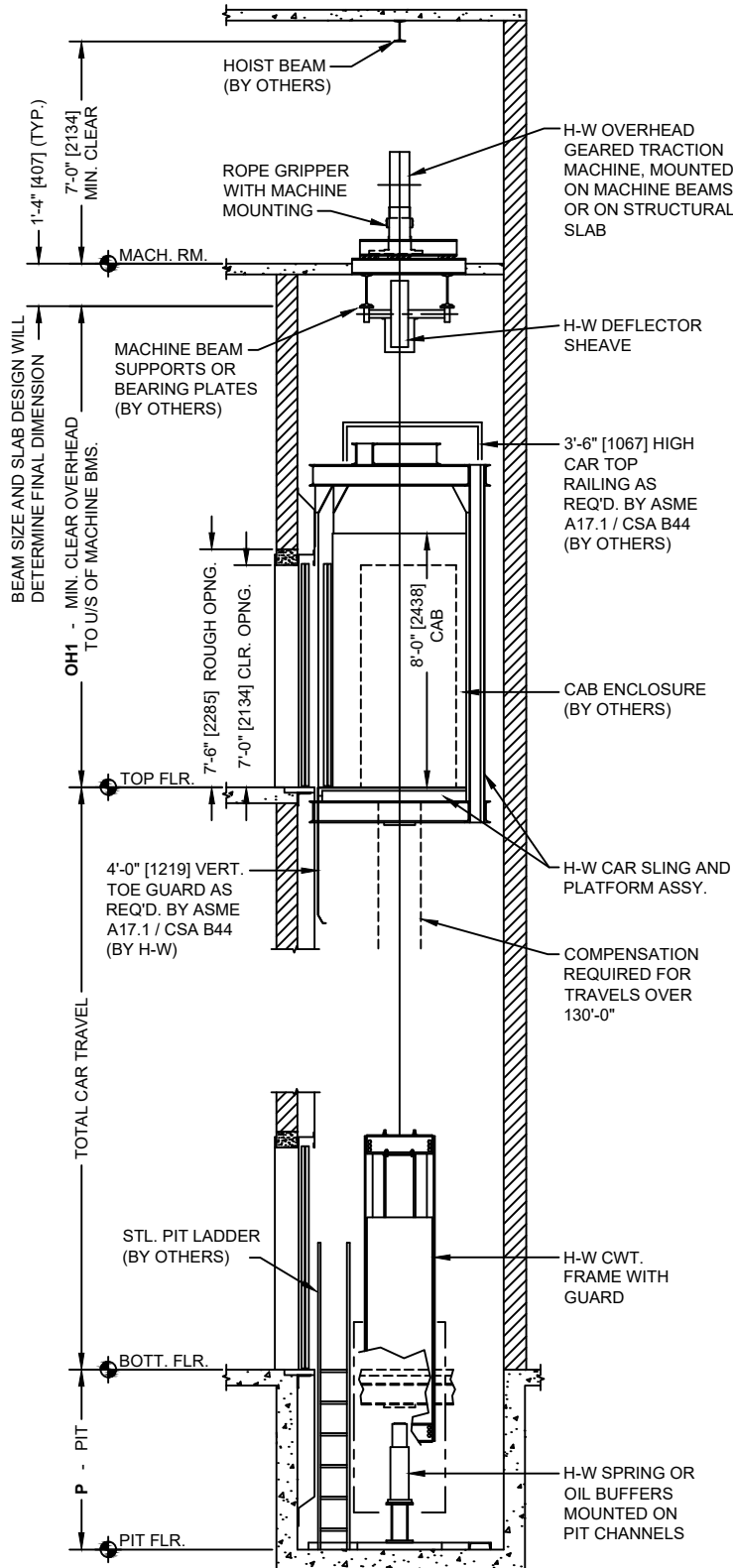
a. These car dimensions and entrance types provide wheelchair accessibility.  
b. These car dimensions and entrance types provide wheelchair accessibility and accommodate an ambulance type stretcher of (76"x24") in the horizontal position.  
c. These car dimensions and entrance types provide wheelchair accessibility and accommodate an ambulance type stretcher of (84"x24") in the horizontal position as required by the IBC.



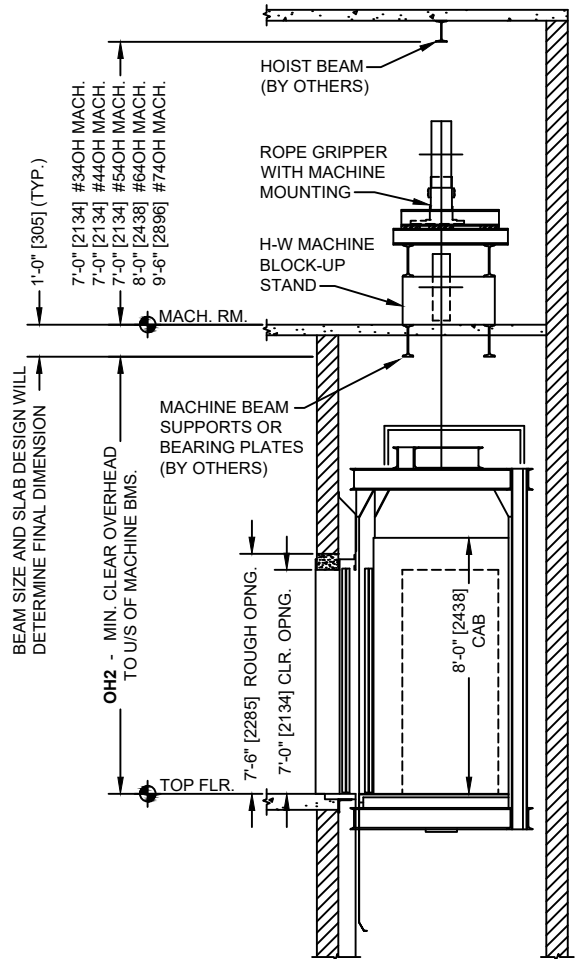


# OVERHEAD GEARED TRACTION DESIGN GUIDE

## Passenger, Front & Side Opening (Cornerpost), CWT at Side



**HOISTWAY SECTION  
(DEFLECTOR SHV. AT TOP OF HOISTWAY)**



**HOISTWAY SECTION  
(DEFLECTOR SHV. IN MACHINE ROOM)**

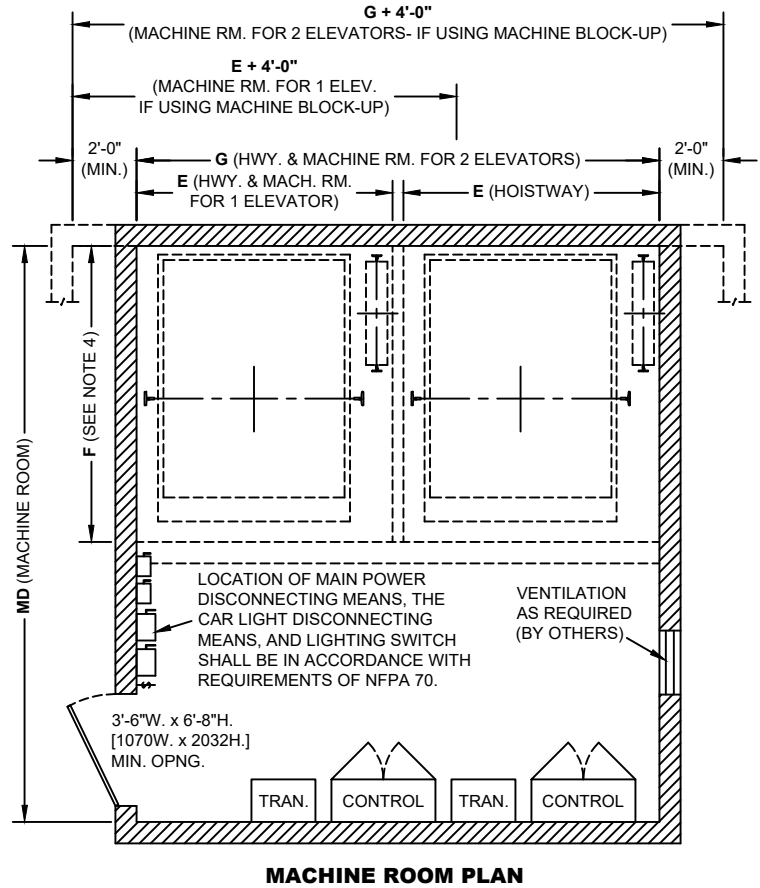
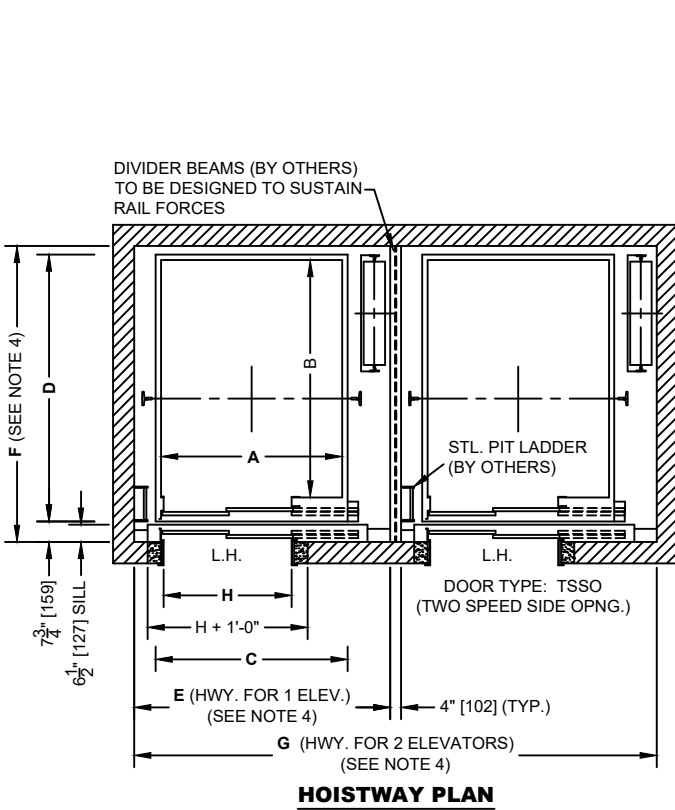
PIT AND OVERHEAD DIMENSIONS			
RATED SPEED fpm [m/s]	PIT DEPTH	MIN. OVERHEAD CLEAR TO U/S BMS. (DEFLECTOR SHV. AT TOP OF HOISTWAY)	MIN. OVERHEAD CLEAR TO U/S BMS. (DEFLECTOR SHV. IN MACHINE ROOM)
	P	OH1	OH2
100 - 200 fpm [.50 - 1.00 m/s]	5'-6" [1676]	14'-9" [4496]	14'-3" [4343]
250 - 350 fpm [1.25 - 1.75 m/s]	5'-8" [1727]	15'-4" [4674]	14'-10" [4521]
400 fpm [2.00 m/s]	6'-0" [1829]	15'-8" [4775]	15'-2" [4623]
450 fpm [2.25 m/s]	6'-9" [2057]	16'-3" [4953]	15'-9" [4801]
500 fpm [2.50 m/s]	6'-9" [2057]	16'-5" [5004]	15'-11" [4851]

Overhead dimensions (OH) are based on an 8'-0" [2438mm] cab height with a 7'-0" [2134mm] door. For 9'-0" [2745] cab use OH + 1'-0" [305]. For 10'-0" [3050] cab use OH + 2'-0" [610].



# OVERHEAD GEARED TRACTION DESIGN GUIDE

## Hospital / Service, Front Opening, CWT at Side



**NOTES:**

1. Dimensions shown are based on standard sizes and capacities for typical building installations and should only be used for preliminary planning. Contact H-W for additional information before proceeding with construction or for assistance with existing or special conditions.
2. Dimensional data complies with the ASME A17.1 / CSA B44 Safety Code for Elevators and Escalators. State or local codes must be used if they differ from national code.
3. Interior cab dimensions may vary depending on the interior finishes. The platform and hoistway sizes should be increased accordingly for extra thick cab finishes.
4. Counterweight safeties are required if there is "occupied space" below the pit. Add 8" [203] to the hoistway and machine room widths listed and 6" [152] to the hoistway and machine room depths listed for each elevator.

**HOISTWAY AND MACHINE ROOM DIMENSIONS**

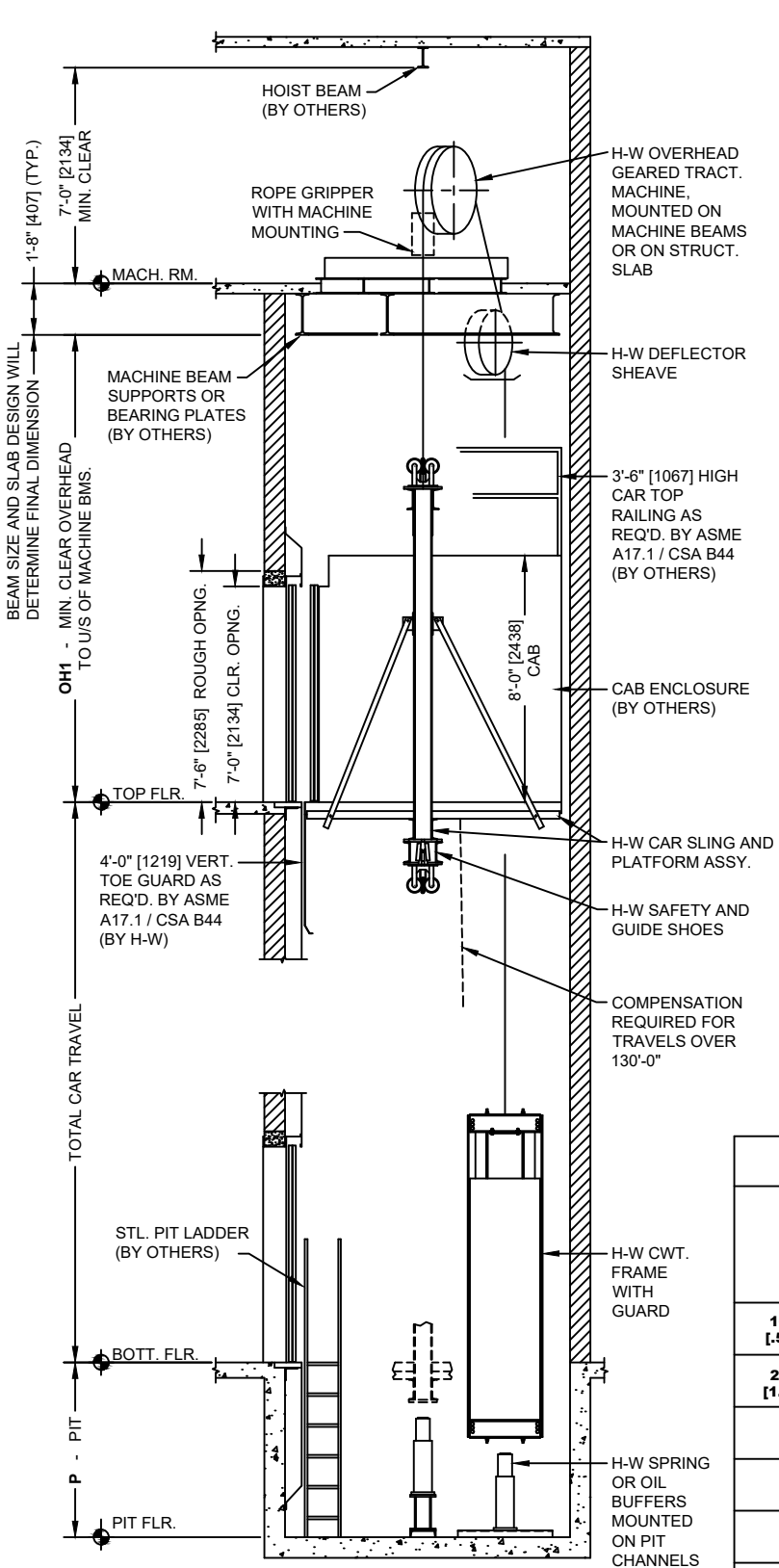
CAPACITY lb [kg]	INSIDE AREA (MAX. SF ALLOWED PER CODE)	H CLEAR OPENING WIDTH ft [mm]	OPENING TYPE (1)	MINIMUM CLEAR CAB INSIDE		PLATFORM SIZE		HOISTWAY SIZE (NON-SEISMIC)			HOISTWAY SIZE (SEISMIC ZONE 2 OR GREATER)			MACH. ROOM
				A WIDTH ft [mm]	B DEPTH ft [mm]	C WIDTH ft [mm]	D DEPTH ft [mm]	E CLR. WIDTH ft [mm]	F CLR. DEPTH ft [mm]	G (DUPLEX) WALL TO WALL ft [mm]	E CLR. WIDTH ft [mm]	F CLR. DEPTH ft [mm]	G (DUPLEX) WALL TO WALL ft [mm]	MD DEPTH ft [mm]
3,500 [1600]	38.0 [3.53]	3'-10" [1169]	TSSO (a)	5'-2" [1575]	7'-4" [2235]	5'-6" [1677]	8'-4" [2540]	7'-8" [2337]	9'-3" [2820]	15'-8" [4775]	8'-0" [2438]	9'-3" [2820]	16'-4" [4978]	17'-0" [5182]
4,000 [1815]	42.2 [3.92]	4'-0" [1219]	TSSO (a)	5'-8" [1727]	7'-4" [2235]	6'-0" [1829]	8'-4" [2540]	8'-2" [2489]	9'-3" [2820]	16'-8" [5080]	8'-6" [2642]	9'-3" [2820]	17'-4" [5283]	17'-0" [5182]
4,500 [2040]	46.2 [4.29]	4'-0" [1219]	TSSO (a)	5'-8" [1727]	7'-10" [2388]	6'-0" [1829]	8'-10" [2693]	8'-4" [2540]	9'-9" [2972]	17'-0" [5182]	8'-6" [2642]	9'-9" [2972]	17'-4" [5283]	17'-6" [5334]
5,000 [2270]	50.0 [4.65]	4'-0" [1219]	TSSO (a)	5'-8" [1727]	8'-6" [2591]	6'-0" [1829]	9'-6" [2896]	8'-4" [2540]	10'-5" [3175]	17'-0" [5182]	8'-6" [2642]	10'-5" [3175]	17'-4" [5283]	18'-3" [5563]

a. These car dimensions and entrance types provide wheelchair accessibility and accommodate an ambulance type stretcher of (84"x24") in the horizontal position as required by the IBC.

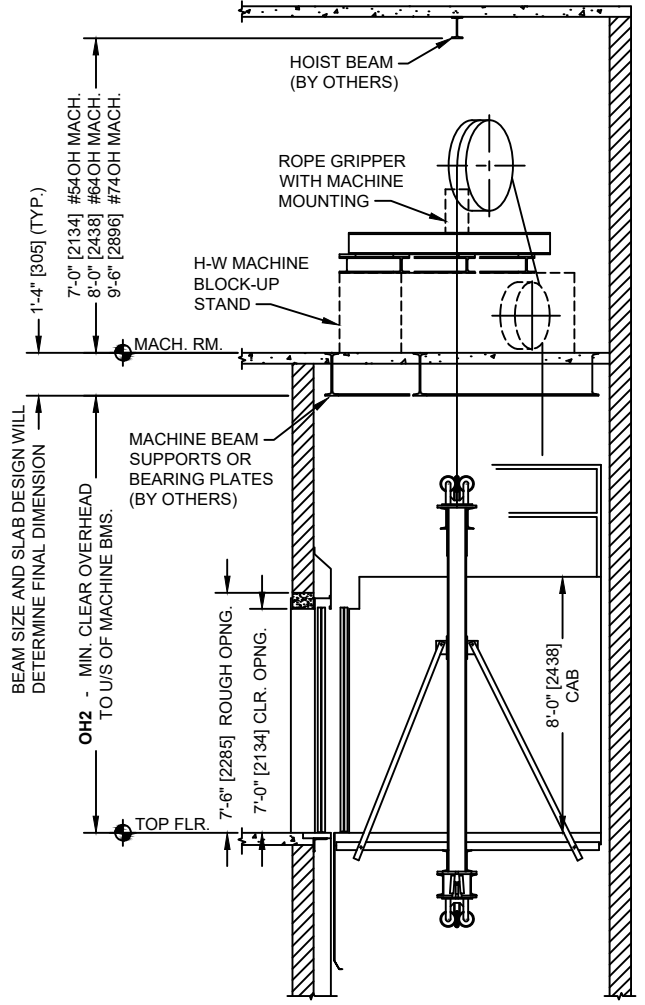


# OVERHEAD GEARED TRACTION DESIGN GUIDE

## Hospital / Service, Front Opening, CWT at Side



**HOISTWAY SECTION  
(DEFLECTOR SHV. AT TOP OF HOISTWAY)**



**HOISTWAY SECTION  
(DEFLECTOR SHV. IN MACHINE ROOM)**

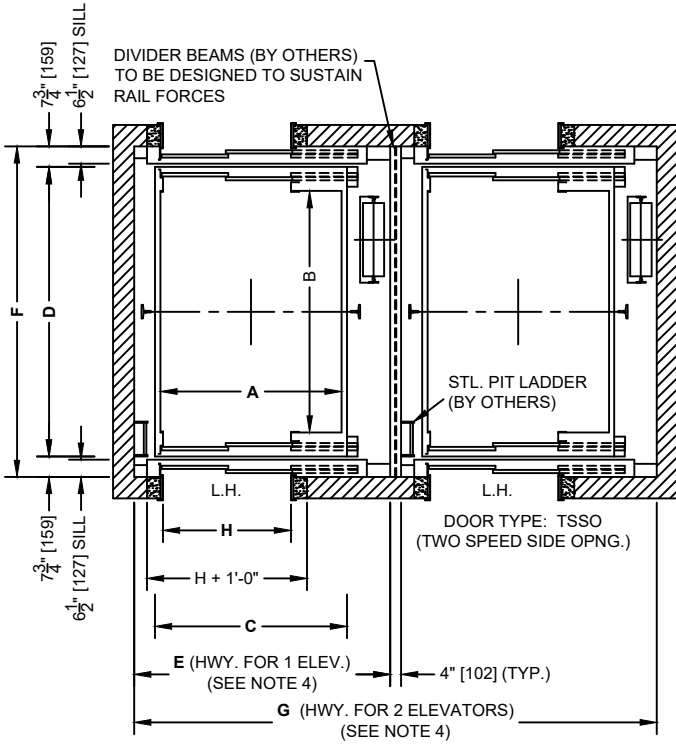
PIT AND OVERHEAD DIMENSIONS			
RATED SPEED fpm [m/s]	PIT DEPTH	MIN. OVERHEAD CLEAR TO U/S BMS. (DEFLECTOR SHV. AT TOP OF HOISTWAY)	MIN. OVERHEAD CLEAR TO U/S BMS. (DEFLECTOR SHV. IN MACHINE ROOM)
	P	OH1	OH2
100 - 200 fpm [.50 - 1.00 m/s]	5'-6" [1677]	14'-7" [4445]	13'-5" [4089]
250 - 350 fpm [1.25 - 1.75 m/s]	6'-0" [1829]	15'-2" [4623]	14'-0" [4267]
400 fpm [2.00 m/s]	6'-3" [1905]	15'-6" [4725]	14'-4" [4369]
450 fpm [2.25 m/s]	6'-10" [2083]	16'-1" [4902]	14'-11" [4547]
500 fpm [2.50 m/s]	6'-10" [2083]	16'-3" [4953]	15'-1" [4597]

Overhead dimensions (OH) are based on an 8'-0" [2438mm] cab height with a 7'-0" [2134mm] door. For 9'-0" [2745] cab use OH + 1'-0" [305]. For 10'-0" [3050] cab use OH + 2'-0" [610].

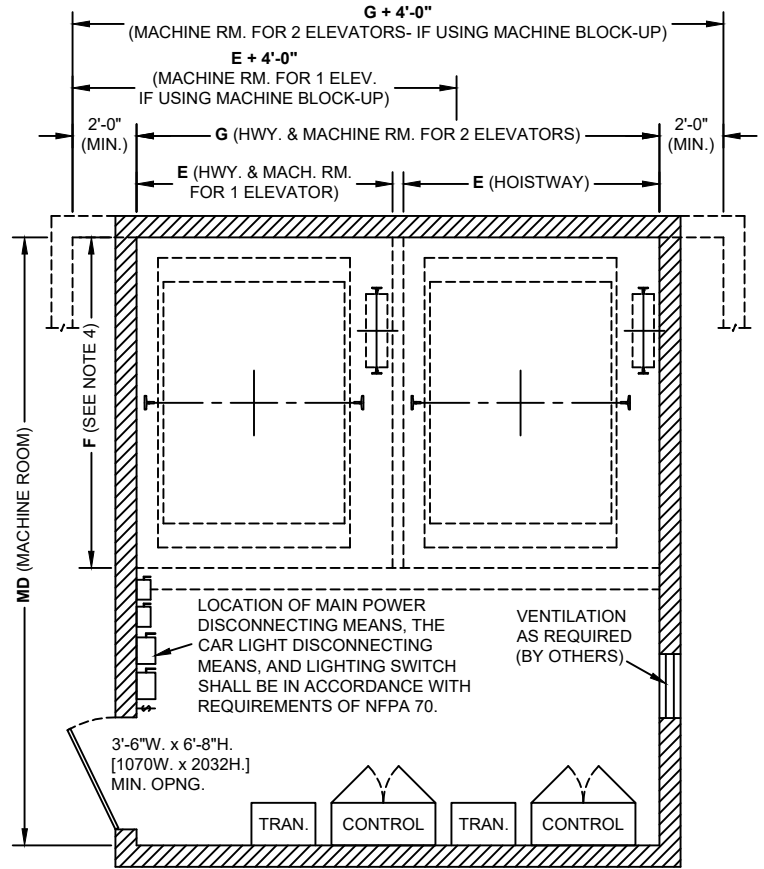


# OVERHEAD GEARED TRACTION DESIGN GUIDE

## Hospital / Service, Front & Rear Opening, CWT at Side



**HOISTWAY PLAN**



**MACHINE ROOM PLAN**

**NOTES:**

1. Dimensions shown are based on standard sizes and capacities for typical building installations and should only be used for preliminary planning. Contact H-W for additional information before proceeding with construction or for assistance with existing or special conditions.
2. Dimensional data complies with the ASME A17.1 / CSA B44 Safety Code for Elevators and Escalators. State or local codes must be used if they differ from national code.
3. Interior cab dimensions may vary depending on the interior finishes. The platform and hoistway sizes should be increased accordingly for extra thick cab finishes.
4. Counterweight safeties are required if there is "occupied space" below the pit. Add 8" [203] to the hoistway and machine room widths listed for each elevator.

**HOISTWAY AND MACHINE ROOM DIMENSIONS**

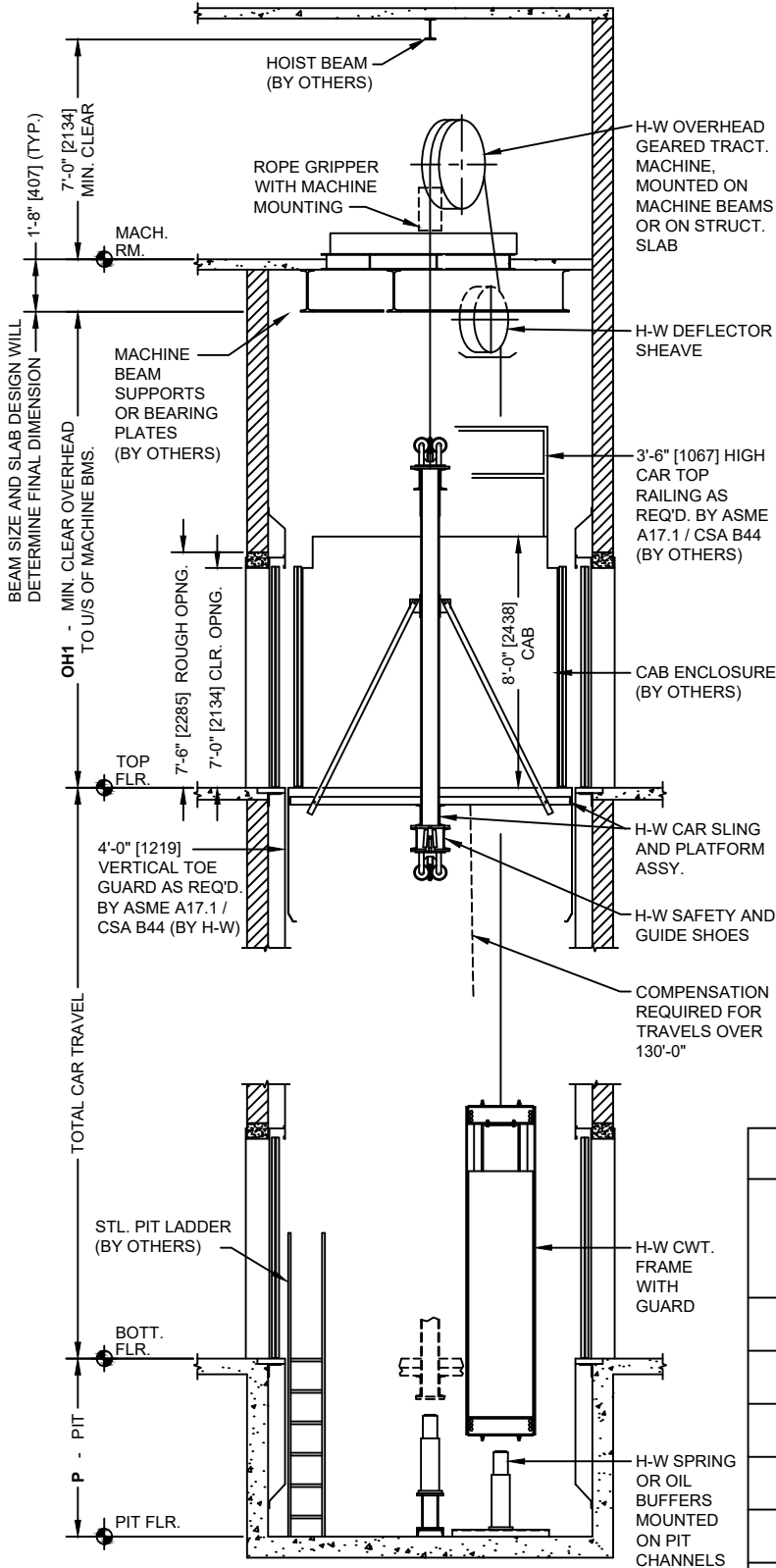
CAPACITY lb [kg]	INSIDE AREA (MAX. SF ALLOWED PER CODE)	H CLEAR OPENING WIDTH ft [mm]	OPENING TYPE (1)	MINIMUM CLEAR CAB INSIDE		PLATFORM SIZE		HOISTWAY SIZE (NON-SEISMIC)			HOISTWAY SIZE (SEISMIC ZONE 2 OR GREATER)			MACH. ROOM
				A WIDTH ft [mm]	B DEPTH ft [mm]	C WIDTH ft [mm]	D DEPTH ft [mm]	E CLR. WIDTH ft [mm]	F CLR. DEPTH ft [mm]	G (DUPLEX) WALL TO WALL ft [mm]	E CLR. WIDTH ft [mm]	F CLR. DEPTH ft [mm]	G (DUPLEX) WALL TO WALL ft [mm]	MD DEPTH ft [mm]
3,500 [1600]	38.0 [3.53]	3'-10" [1169]	TSSO (a)	5'-2" [1575]	7'-4" [2235]	5'-6" [1677]	9'-0 1/2" [2756]	7'-10" [2388]	10'-4" [3150]	16'-0" [4877]	8'-0" [2438]	10'-4" [3150]	16'-4" [4978]	18'-0" [5486]
4,000 [1815]	42.2 [3.92]	4'-0" [1219]	TSSO (a)	5'-8" [1727]	7'-4" [2235]	6'-0" [1829]	9'-0 1/2" [2756]	8'-4" [2540]	10'-4" [3150]	17'-0" [5182]	8'-6" [2642]	10'-4" [3150]	17'-4" [5283]	18'-0" [5486]
4,500 [2040]	46.2 [4.29]	4'-0" [1219]	TSSO (a)	5'-8" [1727]	7'-10" [2388]	6'-0" [1829]	9'-6 1/2" [2908]	8'-4" [2540]	10'-10" [3302]	17'-0" [5182]	8'-6" [2642]	10'-10" [3302]	17'-4" [5283]	18'-0" [5486]
5,000 [2270]	50.0 [4.65]	4'-0" [1219]	TSSO (a)	5'-8" [1727]	8'-6" [2591]	6'-0" [1829]	10'-2 1/2" [3112]	8'-4" [2540]	11'-6" [3505]	17'-0" [5182]	8'-6" [2642]	11'-6" [3505]	17'-4" [5283]	18'-8" [5690]

a. These car dimensions and entrance types provide wheelchair accessibility and accommodate an ambulance type stretcher of (84"x24") in the horizontal position as required by the IBC.

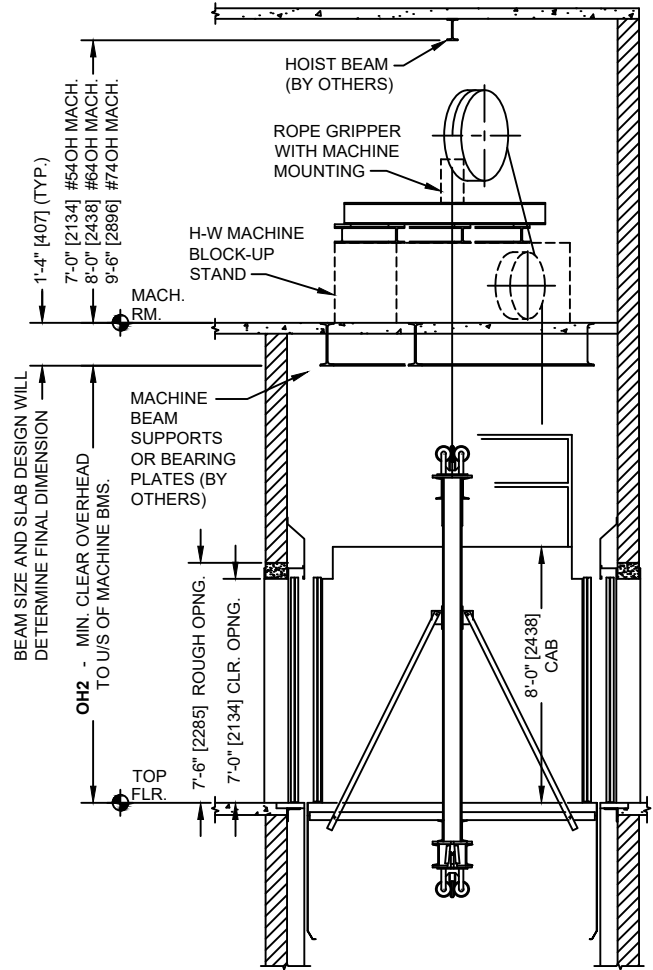


# OVERHEAD GEARED TRACTION DESIGN GUIDE

## Hospital / Service, Front & Rear Opening, CWT at Side



**HOISTWAY SECTION  
(DEFLECTOR SHV. AT TOP OF HOISTWAY)**



**HOISTWAY SECTION  
(DEFLECTOR SHV. IN MACHINE ROOM)**

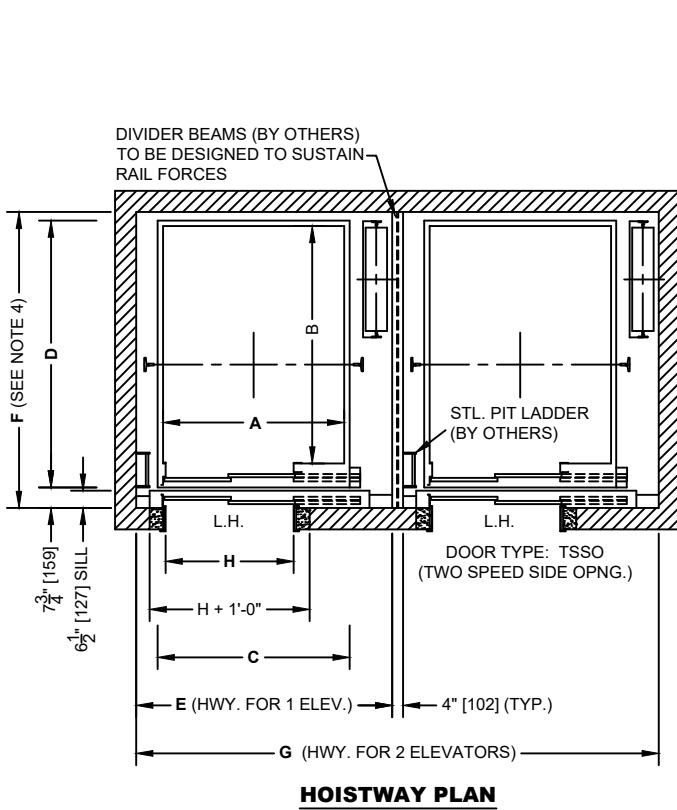
PIT AND OVERHEAD DIMENSIONS			
RATED SPEED fpm [m/s]	PIT DEPTH	MIN. OVERHEAD CLEAR TO U/S BMS. (DEFLECTOR SHV. AT TOP OF HOISTWAY)	MIN. OVERHEAD CLEAR TO U/S BMS. (DEFLECTOR SHV. IN MACHINE ROOM)
	P	OH1	OH2
100 - 200 fpm [.50 - 1.00 m/s]	5'-6" [1677]	14'-7" [4445]	13'-5" [4089]
250 - 350 fpm [1.25 - 1.75 m/s]	6'-0" [1829]	15'-2" [4623]	14'-0" [4267]
400 fpm [2.00 m/s]	6'-3" [1905]	15'-6" [4725]	14'-4" [4369]
450 fpm [2.25 m/s]	6'-10" [2083]	16'-1" [4902]	14'-11" [4547]
500 fpm [2.50 m/s]	6'-10" [2083]	16'-3" [4953]	15'-1" [4597]

Overhead dimensions (OH) are based on an 8'-0" [2438mm] cab height with a 7'-0" [2134mm] door. For 9'-0" [2745] cab use OH + 1'-0" [305]. For 10'-0" [3050] cab use OH + 2'-0" [610].

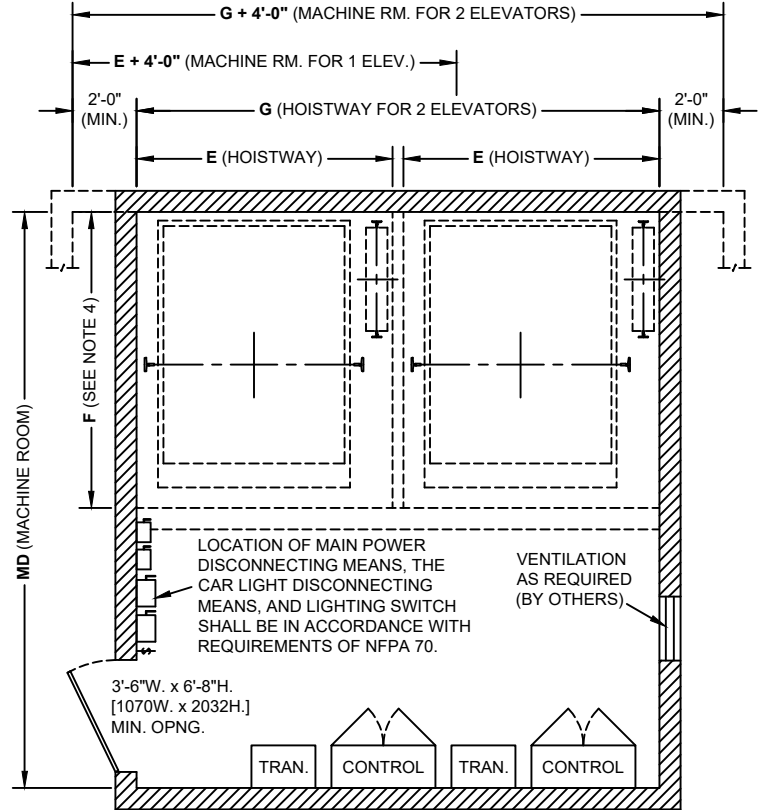


# OVERHEAD GEARED TRACTION DESIGN GUIDE

## Trauma, Front Opening, CWT at Side



**HOISTWAY PLAN**



**MACHINE ROOM PLAN**

**NOTES:**

1. Dimensions shown are based on standard sizes and capacities for typical building installations and should only be used for preliminary planning. Contact H-W for additional information before proceeding with construction or for assistance with existing or special conditions.
2. Dimensional data complies with the ASME A17.1 / CSA B44 Safety Code for Elevators and Escalators. State or local codes must be used if they differ from national code.
3. Interior cab dimensions may vary depending on the interior finishes. The platform and hoistway sizes should be increased accordingly for extra thick cab finishes.
4. Counterweight safeties are required if there is "occupied space" below the pit. Add 8" [203] to the hoistway and machine room widths listed and 6" [152] to the hoistway and machine room depths listed for each elevator.

HOISTWAY AND MACHINE ROOM DIMENSIONS												
CAPACITY lb [kg]	INSIDE AREA (MAXIMUM SQ. FT. ALLOWED PER CODE)	H CLEAR OPENING WIDTH ft [mm]	OPENING TYPE (1)	MINIMUM CLEAR CAB INSIDE		PLATFORM SIZE		HOISTWAY SIZE (NON-SEISMIC & SEISMIC ZONES)			MACH. ROOM MD DEPTH ft [mm]	
				A WIDTH ft [mm]	B DEPTH ft [mm]	C WIDTH ft [mm]	D DEPTH ft [mm]	E CLR. WIDTH ft [mm]	F CLR. DEPTH ft [mm]	G (DUPLEX) WALL TO WALL ft [mm]		
6,000 [2720]	57.7 [5.36]	5'-0" [1524]	TSSO (a) TSCO (a)	6'-8" [2032]	8'-6" [2591]	7'-0" [2134]	9'-5" [2870]	9'-2" [2794]	10'-4" [3150]	18'-10" [5740]	19'-0" [5791]	
7,000 [3175]	65.3 [6.07]	5'-0" [1524]	TSSO (a) TSCO (a)	6'-8" [2032]	9'-9" [2972]	7'-0" [2134]	10'-8" [3251]	9'-2" [2794]	11'-7" [3531]	18'-10" [5740]	20'-0" [6096]	
8,000 [3630]	72.9 [6.77]	5'-0" [1524]	TSSO (a) TSCO (a)	7'-0" [2134]	10'-4" [3150]	7'-4" [2235]	11'-3" [3429]	9'-6" [2896]	12'-2" [3708]	19'-6" [5944]	21'-0" [6401]	
10,000 [4535]	88.0 [8.17]	5'-0" [1524]	TSSO (a) TSCO (a)	7'-6" [2286]	11'-8" [3556]	7'-10" [2388]	12'-7" [3835]	10'-6" [3200]	13'-5" [4090]	21'-6" [6553]	22'-0" [6706]	

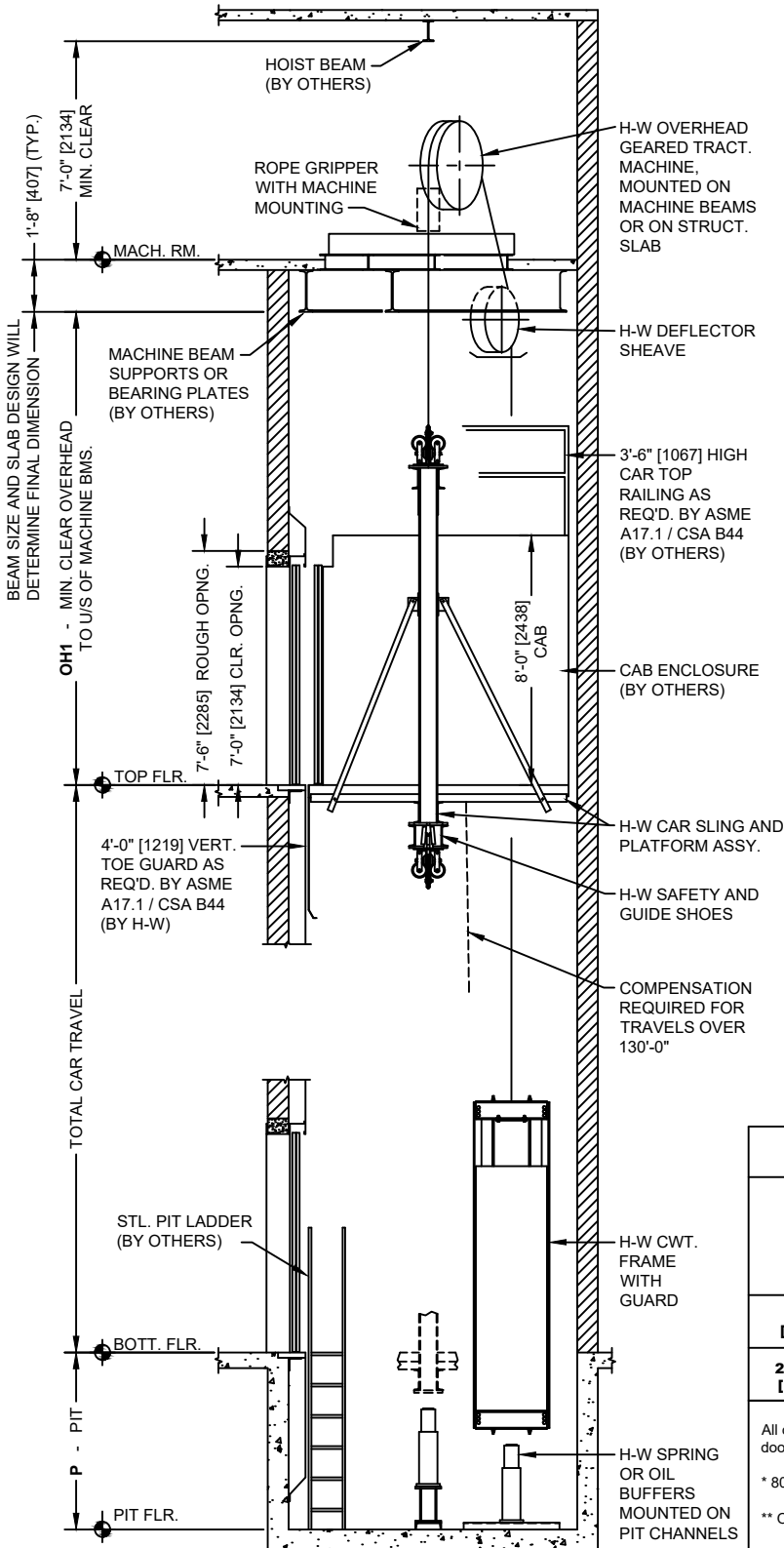
a. These car dimensions and entrance types provide wheelchair accessibility and accommodate an ambulance type stretcher of (84"x24") in the horizontal position as required by the IBC.



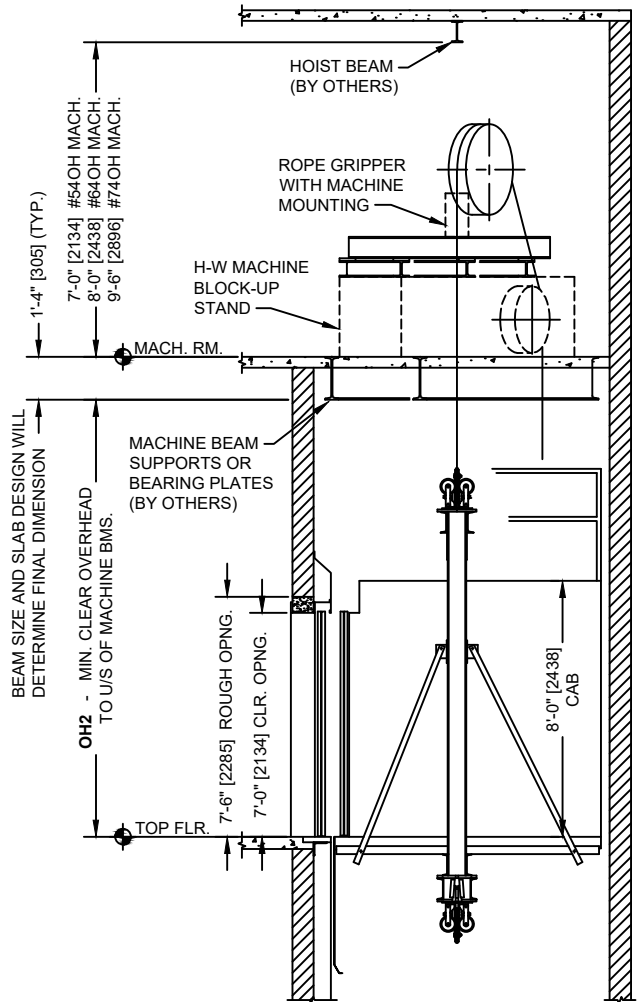


# OVERHEAD GEARED TRACTION DESIGN GUIDE

## Trauma, Front Opening, CWT at Side



**HOISTWAY SECTION  
(DEFLECTOR SHV. AT TOP OF HOISTWAY)**



**HOISTWAY SECTION  
(DEFLECTOR SHV. IN MACHINE ROOM)  
ONLY AVAILABLE  
UNDER 8000# CAPACITY**

PIT AND OVERHEAD DIMENSIONS			
RATED SPEED fpm [m/s]	PIT DEPTH *	MIN. OVERHEAD CLEAR TO U/S BMS. (DEFLECTOR SHV. AT TOP OF HOISTWAY)	MIN. OVERHEAD CLEAR TO U/S BMS. (DEFLECTOR SHV. IN MACHINE ROOM)
	P	OH1	OH2
100 - 200 fpm [.50 - 1.00 m/s]	5'-6" [1677] *	16'-3" [4953]	14'-9" [4496]
250 - 350 fpm ** [1.25 - 1.75 m/s]	6'-0" [1829] *	16'-10" [5131]	15'-4" [4674]

All overhead dimensions (OH) are based on an 8'-0" [2438mm] cab height with a 7'-0" [2134mm] door. For 9'-0" [2745] high cab use OH + 1'-0" [305]. For 10'-0" [3050] high cab use OH + 2'-0" [610].

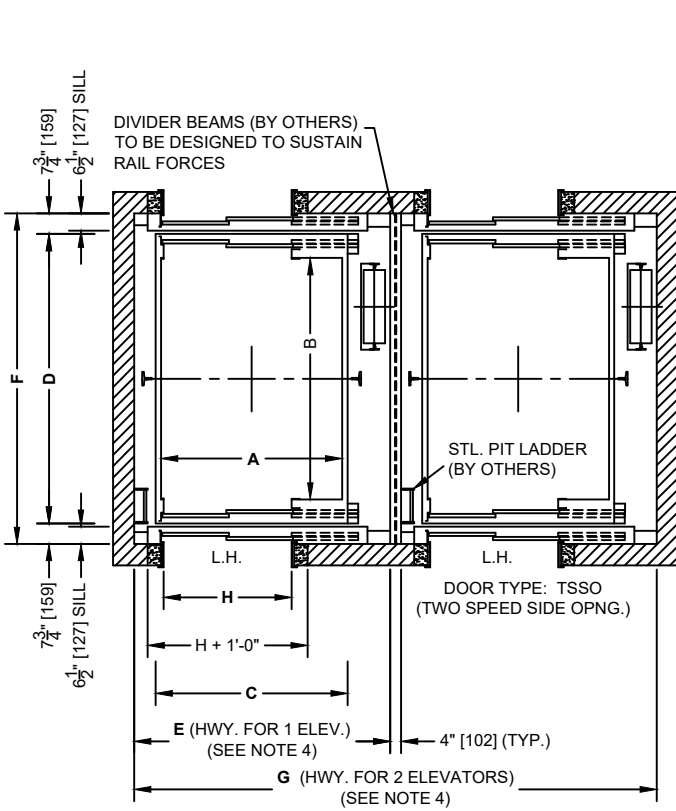
\* 8000# [3630] capacity and over - Add 6" [152] to pit depth.

\*\* Over 8000# [3630] capacity - maximum speed of 250 fpm [1.25m/s].

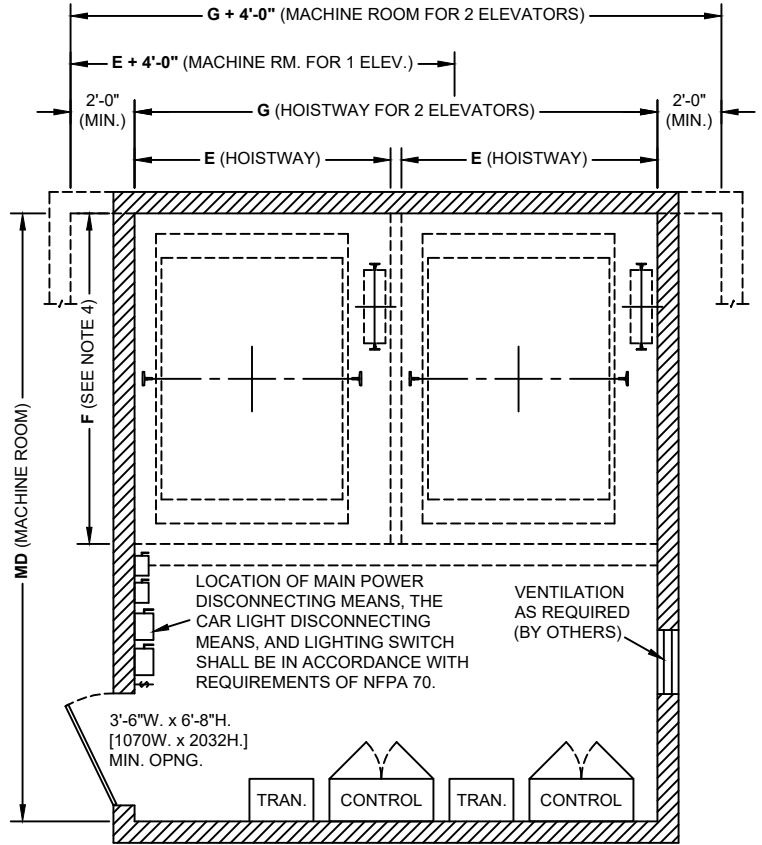


# OVERHEAD GEARED TRACTION DESIGN GUIDE

## Trauma, Front & Rear Opening, CWT at Side



**HOISTWAY PLAN**



**MACHINE ROOM PLAN**

**NOTES:**

1. Dimensions shown are based on standard sizes and capacities for typical building installations and should only be used for preliminary planning. Contact H-W for additional information before proceeding with construction or for assistance with existing or special conditions.
2. Dimensional data complies with the ASME A17.1 / CSA B44 Safety Code for Elevators and Escalators. State or local codes must be used if they differ from national code.
3. Interior cab dimensions may vary depending on the interior finishes. The platform and hoistway sizes should be increased accordingly for extra thick cab finishes.
4. Counterweight safeties are required if there is "occupied space" below the pit. Add 8" [203] to the hoistway and machine room widths listed and 6" [152] to the hoistway and machine room depths listed for each elevator.

**HOISTWAY AND MACHINE ROOM DIMENSIONS**

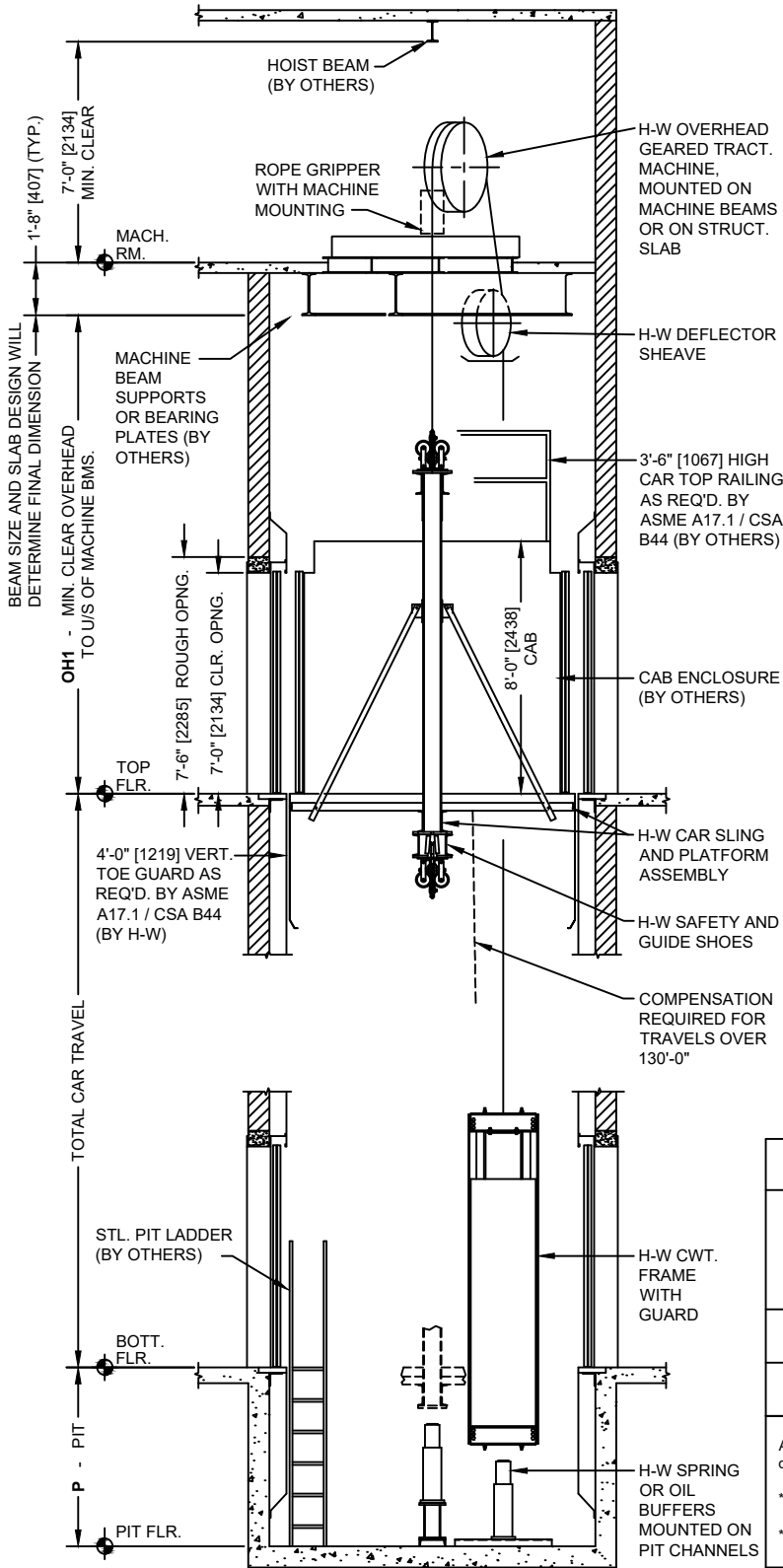
CAPACITY lb [kg]	INSIDE AREA (MAXIMUM SQ. FT. ALLOWED PER CODE)	H CLEAR OPENING WIDTH ft [mm]	OPENING TYPE (1)	MINIMUM CLEAR CAB INSIDE		PLATFORM SIZE		HOISTWAY SIZE (NON-SEISMIC & SEISMIC ZONES)			MACH. ROOM MD DEPTH ft [mm]
				A WIDTH ft [mm]	B DEPTH ft [mm]	C WIDTH ft [mm]	D DEPTH ft [mm]	E CLR. WIDTH ft [mm]	F CLR. DEPTH ft [mm]	G (DUPLEX) WALL TO WALL ft [mm]	
6,000 [2720]	57.7 [5.36]	5'-0" [1524]	TSSO (a) TSCO (a)	6'-8" [2032]	8'-6" [2591]	7'-0" [2134]	10'-0 1/2" [3060]	9'-2" [2794]	11'-4" [3454]	18'-10" [5740]	20'-0" [6096]
7,000 [3175]	65.3 [6.07]	5'-0" [1524]	TSSO (a) TSCO (a)	6'-8" [2032]	9'-9" [2972]	7'-0" [2134]	11'-3 1/2" [3442]	9'-2" [2794]	12'-7" [3835]	18'-10" [5740]	21'-0" [6401]
8,000 [3630]	72.9 [6.77]	5'-0" [1524]	TSSO (a) TSCO (a)	7'-0" [2134]	10'-4" [3150]	7'-4" [2235]	11'-10 1/2" [3620]	9'-6" [2896]	13'-2" [4013]	19'-6" [5944]	22'-0" [6706]
10,000 [4535]	88.0 [8.17]	5'-0" [1524]	TSSO (a) TSCO (a)	7'-6" [2286]	11'-8" [3556]	7'-10" [2388]	13'-2 1/2" [4026]	10'-6" [3200]	14'-6" [4420]	21'-6" [6553]	23'-0" [7010]

a. These car dimensions and entrance types provide wheelchair accessibility and accommodate an ambulance type stretcher of (84"x24") in the horizontal position as required by the IBC.

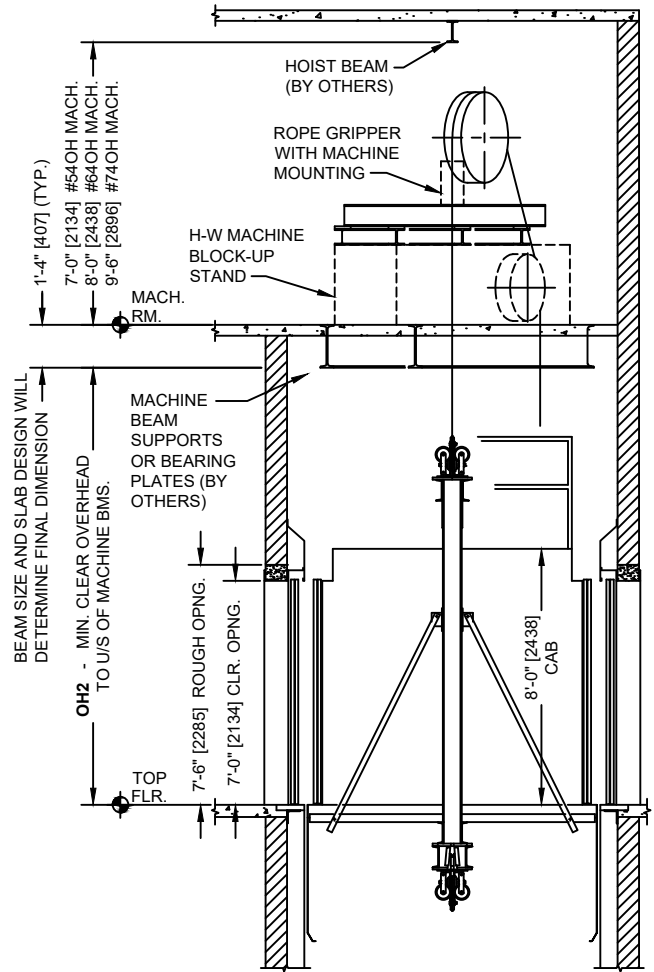


# OVERHEAD GEARED TRACTION DESIGN GUIDE

## Trauma, Front & Rear Opening, CWT at Side



**HOISTWAY SECTION  
(DEFLECTOR SHV. AT TOP OF HOISTWAY)**



**HOISTWAY SECTION  
(DEFLECTOR SHV. IN MACHINE ROOM)  
ONLY AVAILABLE  
UNDER 8000# CAPACITY**

PIT AND OVERHEAD DIMENSIONS			
RATED SPEED fpm [m/s]	PIT DEPTH *	MIN. OVERHEAD CLEAR TO U/S BMS. (DEFLECTOR SHV. AT TOP OF HOISTWAY)	MIN. OVERHEAD CLEAR TO U/S BMS. (DEFLECTOR SHV. IN MACHINE RM.)
	P	OH1	OH2
100 - 200 fpm [.50 - 1.00 m/s]	5'-6" [1677] *	16'-3" [4953]	14'-9" [4496]
250 - 350 fpm ** [1.25 - 1.75 m/s]	6'-0" [1829] *	16'-10" [5131]	15'-4" [4674]

All overhead dimensions (OH) are based on an 8'-0" [2438mm] cab height with a 7'-0" [2134mm] door. For 9'-0" [2745] high cab use OH + 1'-0" [305]. For 10'-0" [3050] high cab use OH + 2'-0" [610].

\* 8000# [3630] capacity and over - Add 6" [152] to pit depth.

\*\* Over 8000# [3630] capacity - maximum speed of 250 fpm [1.25m/s].