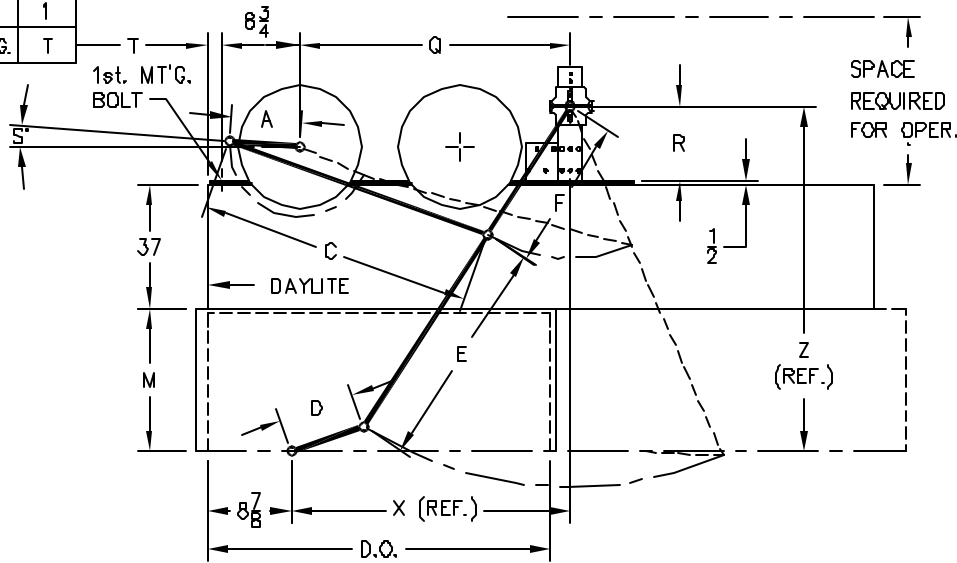


45-48	6
30-44	1
DOOR OPNG.	T



MOVFR	15
MOCT	
MOD	
MOM-MOH	19
MOMCT	
MOHCT	

48	7	34 ⁷ / ₈	12	52	21	23	39 ⁵ / ₈	71 ¹ / ₂	33 ¹ / ₄	11	5'
47	6 ⁷ / ₈	34 ³ / ₄	12	52	21	23	39 ⁵ / ₈	71 ¹ / ₂	33 ¹ / ₄	11	5'
46	6 ³ / ₄	34 ⁵ / ₈	12	52	21	23	39 ⁵ / ₈	71 ¹ / ₂	33 ¹ / ₄	11	5'
45	6 ⁵ / ₈	34 ¹ / ₂	12	52	21	23	39 ⁵ / ₈	71 ¹ / ₂	33 ¹ / ₄	11	5'
44	7	36 ⁵ / ₈	10	44	22	19	34 ⁵ / ₈	64 ¹ / ₂	33 ¹ / ₄	8	12'
43	6 ⁷ / ₈	36 ¹ / ₂	10	44	22	19	34 ⁵ / ₈	64 ¹ / ₂	33 ¹ / ₄	8	12'
42	6 ³ / ₄	36 ³ / ₈	10	44	22	19	34 ⁵ / ₈	64 ¹ / ₂	33 ¹ / ₄	8	12'
41	6 ⁵ / ₈	36 ¹ / ₄	10	44	22	19	34 ⁵ / ₈	64 ¹ / ₂	33 ¹ / ₄	8	12'
40	6 ¹ / ₂	36 ¹ / ₈	10	44	22	19	34 ⁵ / ₈	64 ¹ / ₂	33 ¹ / ₄	8	12'
39	5 ⁵ / ₈	30 ³ / ₄	8	43	18	15	29 ¹ / ₄	60	28 ³ / ₈	7 ¹ / ₂	10'
38	5 ¹ / ₂	30 ⁵ / ₈	8	43	18	15	29 ¹ / ₄	60	28 ³ / ₈	7 ¹ / ₂	10'
37	5 ³ / ₈	30 ¹ / ₂	8	43	18	15	29 ¹ / ₄	60	28 ³ / ₈	7 ¹ / ₂	10'
36	5 ¹ / ₄	30 ³ / ₈	8	43	18	15	29 ¹ / ₄	60	28 ³ / ₈	7 ¹ / ₂	10'
35	5 ¹ / ₈	30 ¹ / ₄	8	43	18	15	29 ¹ / ₄	60	28 ³ / ₈	7 ¹ / ₂	10'
34	5	26 ³ / ₄	6	44	19	15	25 ¹ / ₄	61 ⁷ / ₈	24 ³ / ₈	9 ³ / ₈	10'
33	4 ⁷ / ₈	26 ⁵ / ₈	6	44	19	15	25 ¹ / ₄	61 ⁷ / ₈	24 ³ / ₈	9 ³ / ₈	10'
32	4 ³ / ₄	26 ¹ / ₂	6	44	19	15	25 ¹ / ₄	61 ⁷ / ₈	24 ³ / ₈	9 ³ / ₈	10'
31	4 ⁵ / ₈	25 ³ / ₄	6	44	19	15	24 ³ / ₈	62 ¹ / ₄	23 ¹ / ₂	9 ³ / ₄	10'
30	4 ¹ / ₂	25 ⁵ / ₈	6	44	19	15	24 ³ / ₈	62 ¹ / ₄	23 ¹ / ₂	9 ³ / ₄	10'
INCHES	A	C	D	E	F	M	X	Z	Q	R	S
DOOR OPENING	OPERATOR ARMS		DOOR ARMS			CLUTCH	PIVOT		OPERATOR		



SINGLE SPEED & TWO SPEED OPERATOR DATA TABLE
30-48 D.O. FOR HIGH CABS 37" HEADER

FEB. 23 1987

S6898-37